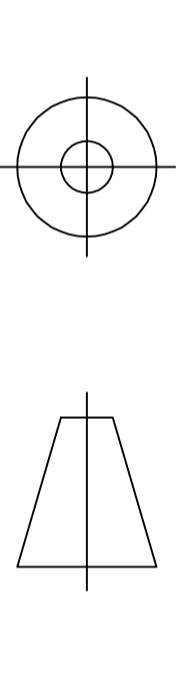


Front mesh door

2045.35
(80.53")

600.0
(23.62")

LOCKING
HANDLE



ENCONNEX

PROJECT:

ECX-645-DRKIT

DRAWN BY:

Amy Zhu

APPROVED BY:

PAUL WEBER

UNIT: MM&INCH

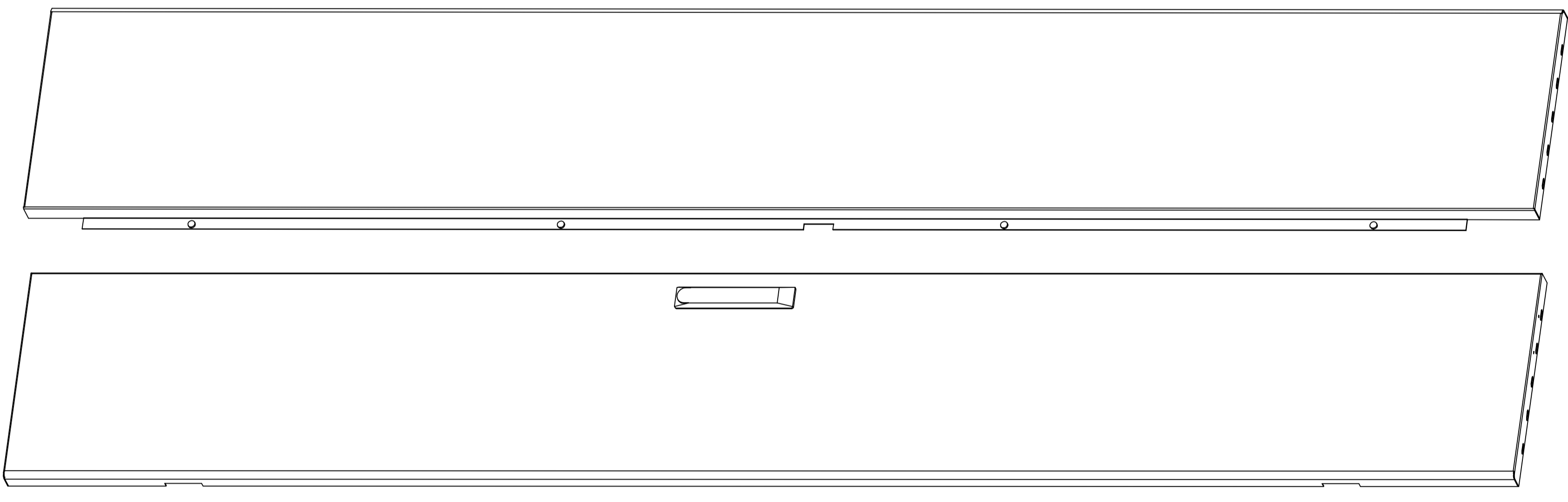
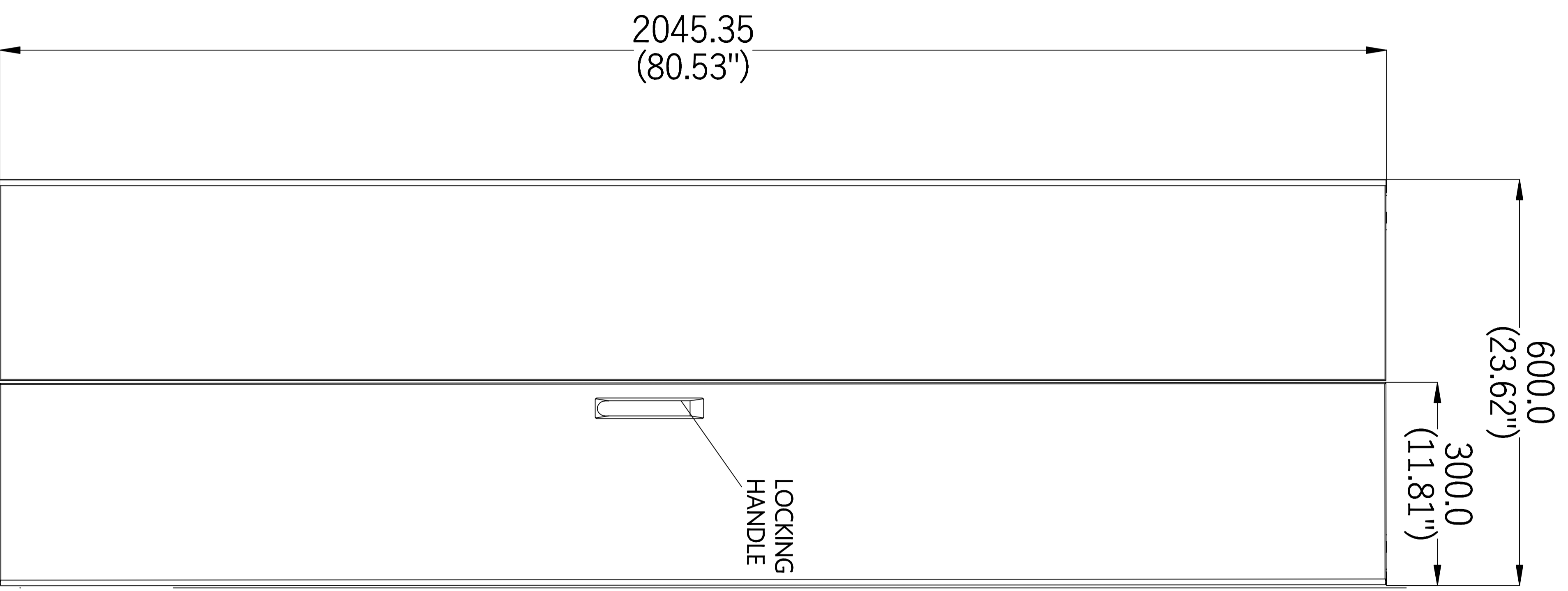
DATE: 2018-05-22

SCALE: 1 : 1

PAGE: 1/2

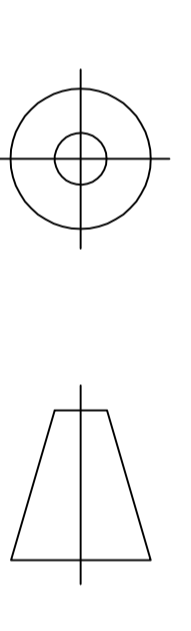
REV: A

Notes:
This drawing and specifications are the property of ENCONNEX and shall not be copied, reproduced or used in whole or in part, as the basis for the manufacture or sale of items without written permission from ENCONNEX. This drawing is the based upon latest available information and is subject to change without notice.



Rear Split Mesh Door

Notes:
 This drawing and specifications are the property of ENCONNEX and shall not be copied, reproduced or used in whole or in part as the basis for the manufacture or sale of items without written permission from ENCONNEX. This drawing is the based upon latest available information and is subject to change without notice.



PROJECT: ECX-645-DRKIT

DRAWN BY: Amy Zhu

APPROVED BY: PAUL WEBER

UNIT: MM&INCH **DATE:** 2018-05-22

SCALE: 1 : 1 **PAGE:** 2/2 **REV:** A

