

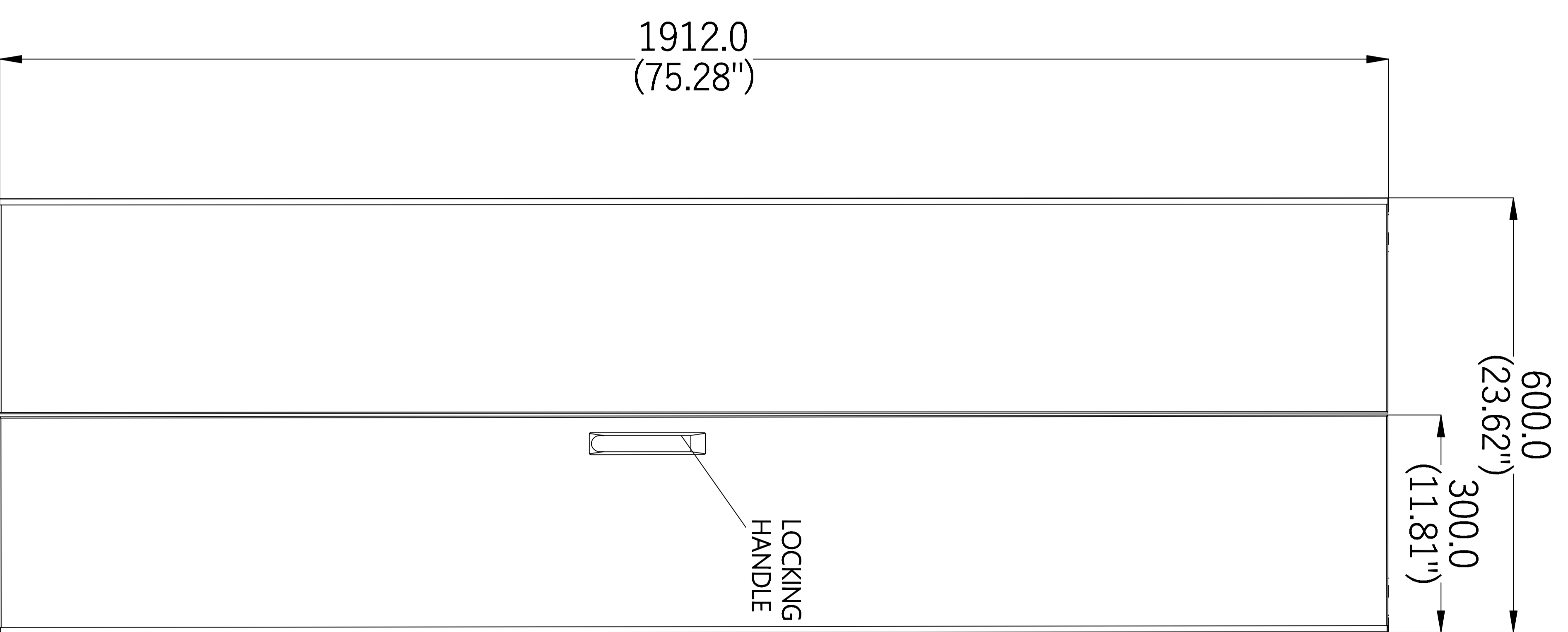
PROJECT:
ECX-642-DRKIT

DRAWN BY: Amy Zhu
 APPROVED BY: PAUL WEBER
 UNIT: MM&INCH DATE: 2018-05-22
 SCALE: 1 : 1 PAGE: 1/2 REV: A

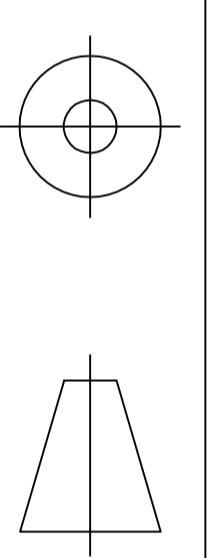
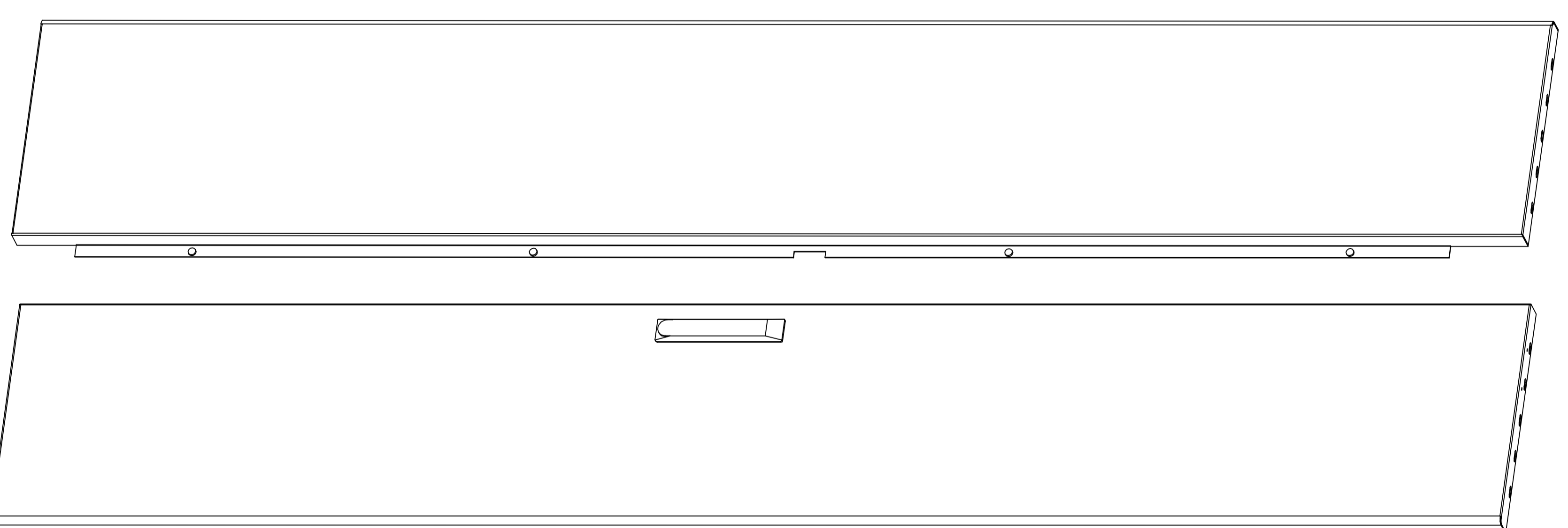


Notes:
 This drawing and specifications are the property of ENCONNEX and shall not be copied, reproduced or used in whole or in part, as the basis for the manufacture or sale of items without written permission from ENCONNEX. This drawing is the based upon latest available information and is subject to change without notice.

8	A	B	C	D	E	F
7						
6						
5						
4						
3						
2						
1	A	B	C	D	E	F



Rear Split Mesh Door



PROJECT:

ECX-642-DRKIT

DRAWN BY:

Amy Zhu

APPROVED BY:

PAUL WEBER

UNIT: MM&INCH

DATE: 2018-05-22

SCALE: 1 : 1

PAGE: 2/2

REV: A

Notes:
This drawing and specifications are the property of ENCONNEX and shall not be copied, reproduced or used in whole or in part, as the basis for the manufacture or sale of items without written permission from ENCONNEX. This drawing is the based upon latest available information and is subject to change without notice.

