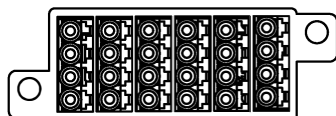
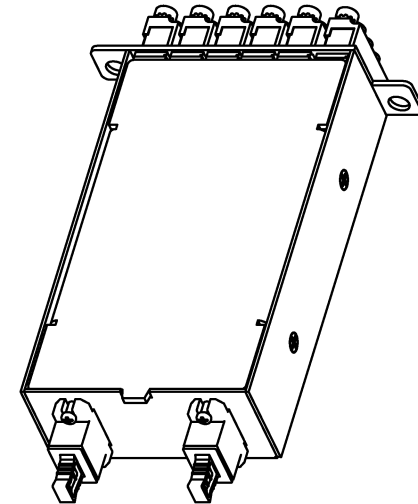
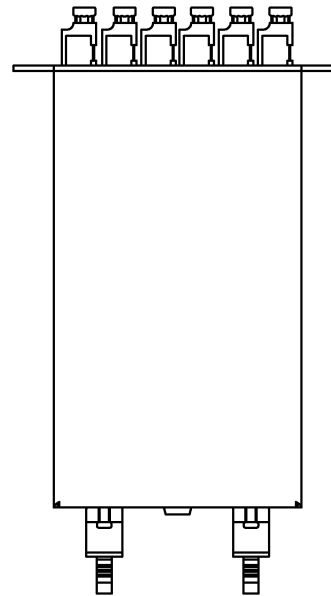
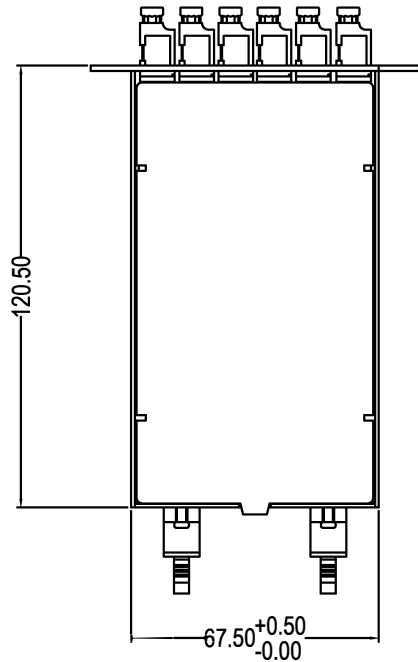
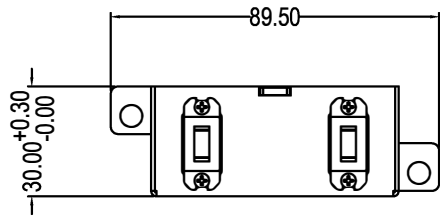


Tolerance			
Length	Super	High	Comm
<3	0.05	0.1	-
3TO<6	0.05	0.1	0.2
6TO<30	0.1	0.2	0.5
30TO<120	0.15	0.3	0.8
120TO<315	0.2	0.5	1.2

Version	Mark	Date	Before	Current
A0				



Fiber 1	Blue	Fiber 3	Green	Fiber 5	Gray	Fiber 1	Blue	Fiber 3	Green	Fiber 5	Gray
Fiber 12	Aqua	Fiber 10	Purple	Fiber 8	Black	Fiber 12	Aqua	Fiber 10	Purple	Fiber 8	Black
Fiber 2	Orange	Fiber 4	Brown	Fiber 6	White	Fiber 2	Orange	Fiber 4	Brown	Fiber 6	White
Fiber 11	Pink	Fiber 9	Yellow	Fiber 7	Red	Fiber 11	Pink	Fiber 9	Yellow	Fiber 7	Red

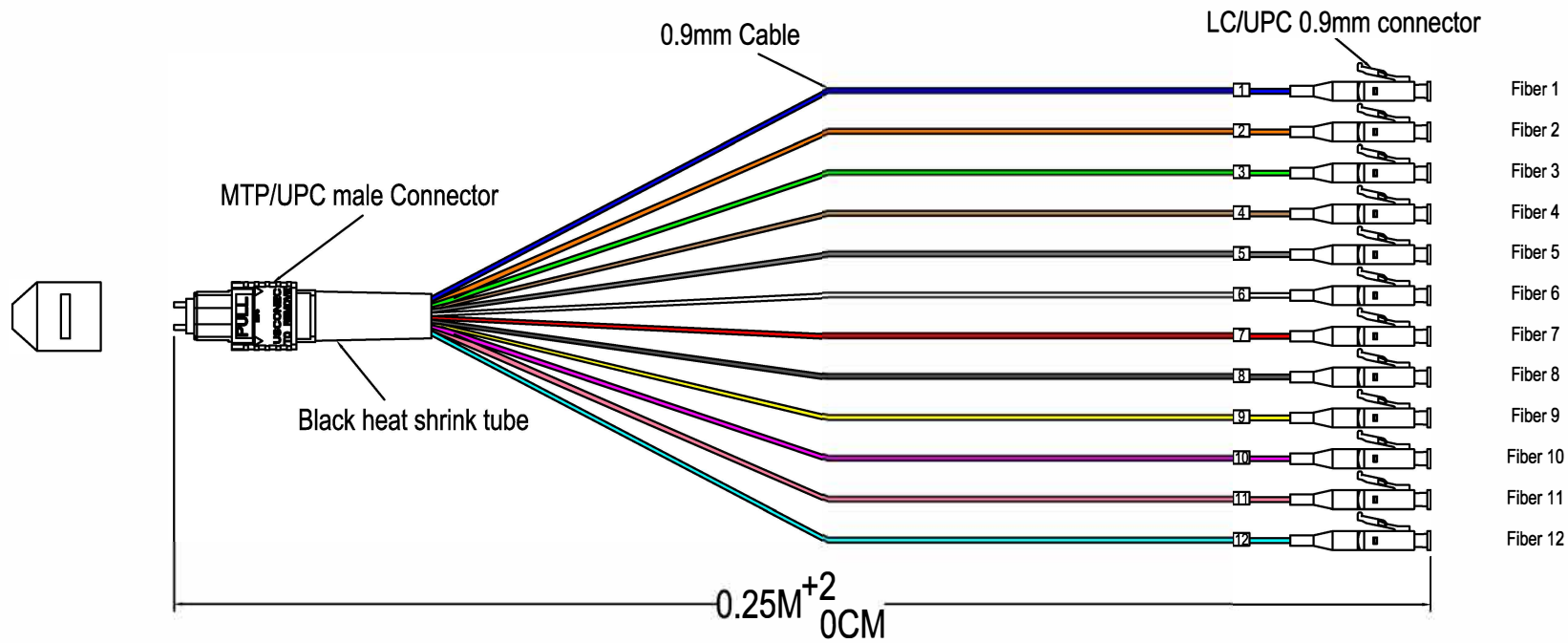
UNIT	mm	PAGE	1 / 1	MODEL	MTP Cassette
SCALE	0.500	DRAW	---	DRAW NO.	FBK-LFL02-003
MAT.		CHECK		NAME	6LCQUAD-2MTP Cassette
DATE		APPR.		MAT_NO.	FBK-LFL02-003

VIEW

ENCONNEX



# 12 CORE FIBER OPTIC CABLE MTP/UPC-LC/UPC 50/125 OM3



## MTP/APC Connector

Port 1	Port 2	Port 3	Port 4	Port 5	Port 6	Port 7	Port 8	Port 9	Port 10	Port 11	Port 12
Blue	Orange	Green	Brown	Gray	White	Red	Black	Yellow	Purple	Pink	Aqua

## Specifications:

Fiber Mode	MM
Type	MTP/UPC
Cable Diameter(mm)	--
Cable Color	--
Core Diameter(um)	50/125
Insertion Loss(dB)	≤0.75
Return Loss(dB)	≥20
Operating Temperature(°C)	-20~+70
Storage Temperature (°C)	-20~+70

Fiber Mode	MM
Type	LC/UPC
Cable Diameter(mm)	Φ 1.2
Cable Color	12 Color
Core Diameter(um)	50/125
Insertion Loss(dB)	≤0.25
Return Loss(dB)	≥20
Operating Temperature(°C)	-20~+70
Storage Temperature (°C)	-20~+70

UNIT	mm	PAGE	2 / 2	MODEL	Patchcord
SCALE	--	DRAW		DRAW NO.	MTP/UPC-LC/UPC-001
MAT.		CHECK		NAME	12 CORE MTP-LC
DATE	25-May-18	APPR.		MAT_NO.	MTP/UPC-LC/UPC-001

VIEW

ENCONNEX

