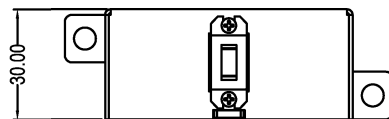
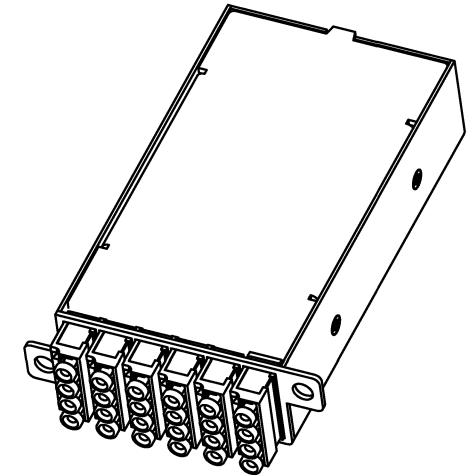
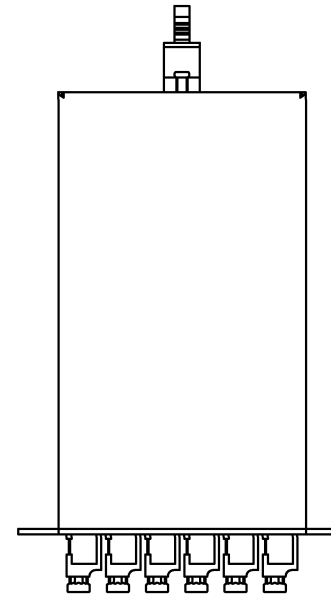
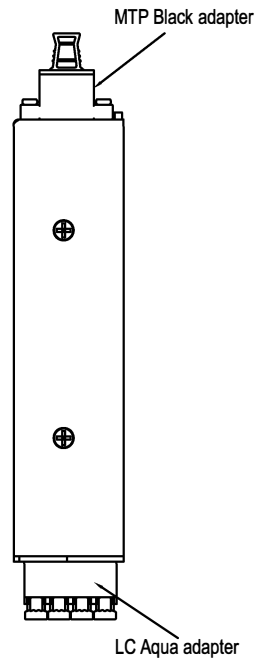
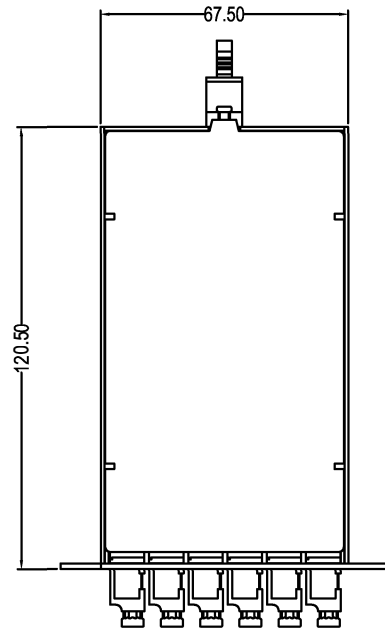
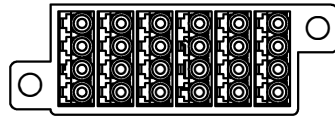


Tolerance			
Length	Super	High	Comm
<3	0.05	0.1	-
3TO<6	0.05	0.1	0.3
6TO<30	0.1	0.2	0.5
30TO<120	0.15	0.3	0.8
120TO<315	0.2	0.5	1.2

Version	Mark	Date	Before	Current
A0				

1	Fiber 1	Fiber 3	Fiber 5	Fiber 7	Fiber 9	Fiber 11
	Blue	Green	Gray	Red	Yellow	Pink
	3	1	3	1	3	1
2	Fiber 13	Fiber 15	Fiber 17	Fiber 19	Fiber 21	Fiber 23
	Blue	Green	Gray	Red	Yellow	Pink
	3	1	3	1	3	1
1	Fiber 2	Fiber 4	Fiber 6	Fiber 8	Fiber 10	Fiber 12
	Orange	Brown	White	Black	Purple	Aqua
	4	2	4	2	4	2
2	Fiber 14	Fiber 16	Fiber 18	Fiber 20	Fiber 22	Fiber 24
	Orange	Brown	White	Black	Purple	Aqua
	4	2	4	2	4	2



### Specifications:

Fiber Mode	MM
Cable Color	Aqua
Insertion Loss(dB)	≤0.5
Return Loss(dB)	≥20
Operating Temperature(°C)	-20~+70
Storage Temperature (°C)	-20~+70

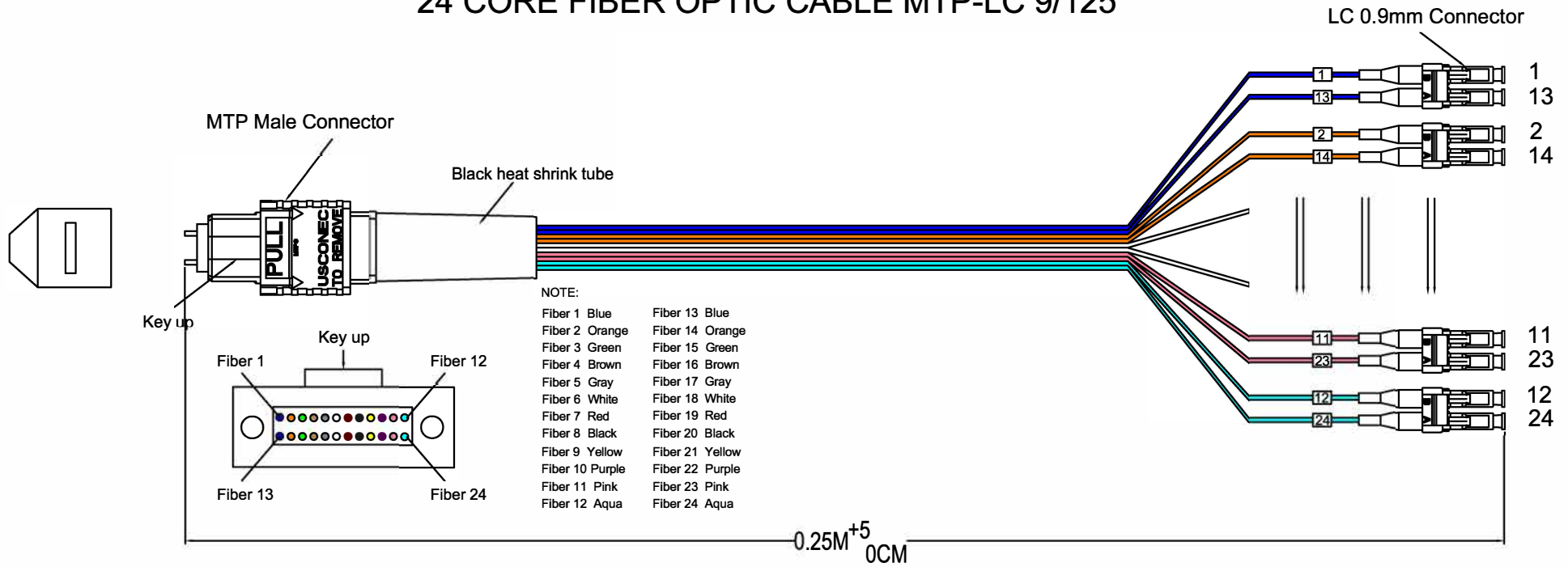
UNIT	mm	PAGE	1 / 1	MODEL	MTP Cassette
SCALE	0.500	DRAW	---	DRAW NO.	LFL-001
MAT.		CHECK		NAME	24core MTP-LC
DATE	4-Jan-18	APPR.		MAT_NO.	LFL-001

VIEW

ENCONNEX



# 24 CORE FIBER OPTIC CABLE MTP-LC 9/125



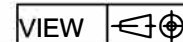
Part Number :ECX-1XMTP-24LC-SM-HDC

## Specifications:

Fiber Mode	SM
Type	MTP
Cable Diameter(mm)	--
Cable Color	--
Core Diameter(um)	9/125
Insertion Loss(dB)	≤0.75
Return Loss(dB)	≥50
Operating Temperature(℃)	-20~+70
Storage Temperature (℃)	-20~+70

Fiber Mode	SM
Type	LC
Cable Diameter(mm)	Φ 0.9
Cable Color	12 Color
Core Diameter(um)	9/125
Insertion Loss(dB)	≤0.25
Return Loss(dB)	≥50
Operating Temperature(℃)	-20~+70
Storage Temperature (℃)	-20~+70

UNIT	mm	PAGE	2/2	MODEL	Patchcord
SCALE	--	DRAW		DRAW NO.	MTP-LC-002
MAT.		CHECK		NAME	24 CORE MTP-LC
DATE	28-May-18	APPR.		MAT_NO.	MTP-LC-002



ENCONNEX

