

EdgeRack 5M Series Micro Data Center

Your Own Personal Data Center



PRODUCT OVERVIEW

The secure, integrated EdgeRack 5M Series Cabinet from Enconnex is an enclosed, sound-reducing rack solution built with an integrated rack-mounted cooling unit. This micro data center is ready for your IT equipment and is ideal for areas where space is limited and high noise levels could be a concern. This is a perfect solution for small to medium-sized offices, retail outlets, educational institutions, and remote edge computing locations.

YOUR OWN PERSONAL DATA CENTER

EdgeRack is the integrated secure server cabinet solution with power, cooling, and sound dampening that acts as a company's on-premise data center. Bundle EdgeRack 5M with PDUs, AC6000, Network cabling, and Fire Suppression for a complete ready-to-roll solution.

COMPLIANCE/STANDARDS	SPECS
Environmental	RoHS
IP Rating	IP41
Other Certifications	CE, UL

KEY ATTRIBUTES



SMART CABINET SOLUTION

The entire IT infrastructure (network, storage, and computing) can be housed in one enclosed cabinet that works in traditional and nontraditional IT spaces.



PLUG-AND-PLAY

The EdgeRack Integrated Cabinet is a plug-and-play module that requires almost zero setup time and allows for the rapid deployment of IT equipment.



SECURITY

Cabinet security is easily maintained with front and rear locking door handles and side panels. Improve the management and maintenance of critical IT equipment, resulting in increased efficiency and uptime.

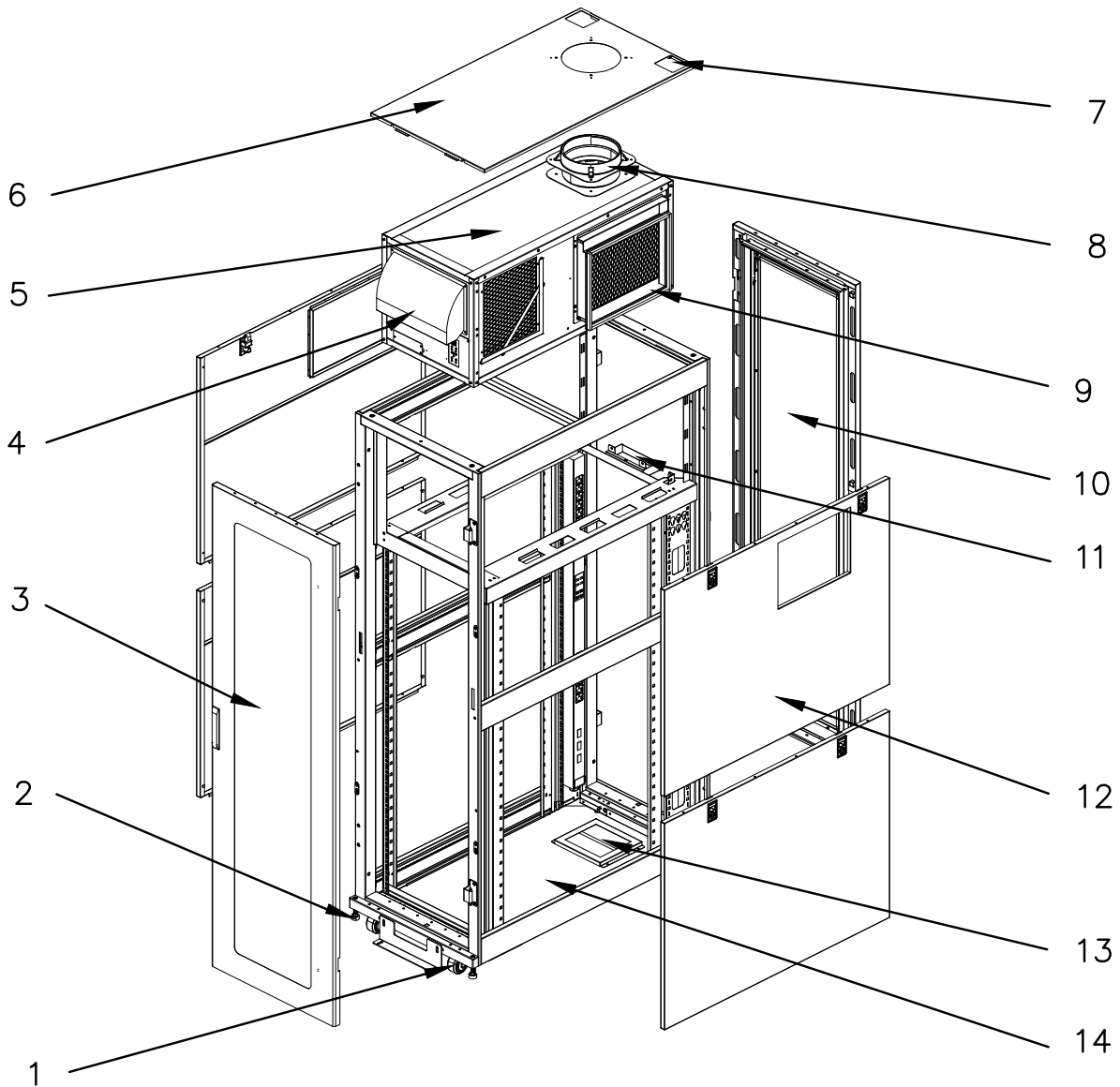


COOLING

Designed with the capacity to cool up to 5kW of computing power in a 10U rack footprint, the Enconnex RCU leads the industry with in-rack-cooling capacity within a small form factor, delivering a curtain of cold air down the front of your cabinet.

EDGERACK 5M SERIES MICRO DATA CENTER SCHEMATICS WITH ACCESSORIES

The Enconnex 5M Series Secure Integrated Cabinet has many standard accessories included with your build. Take a look below.



- 1. Casters
- 2. Leveling Feet
- 3. Plexiglass Front Door
- 4. Air Supply Flange
- 5. Air Conditioner

- 6. Cabinet Top Cover
- 7. Brush
- 8. Air Duct Mounting Flange
- 9. Air Inlet Flange
- 10. Plexiglass Rear Door

- 11. Water Tray
- 12. Cabinet Side Panel
- 13. Bottom Brush Assembly
- 14. Cabinet Bottom Panel

PHYSICAL SPECIFICATIONS

Physical	Specs
Cabinet Dimensions (W x D)	23.62" x 47.24" (600mm x 1200mm)
Cabinet Heights	42U, 45U and 48U option (31U, 34U, 37U usable)
Max Load Capacity	2998 lbs or 1360 kg
RCU Height	11U - Top of Rack Mount
RCU Cooling Capacity	5 kW
RCU Voltage	208-240V
RCU AC Frequency	60Hz
Parts Included	Front/Rear plexiglass doors, side panels, intake and exhaust, 2.5" casters, leveling feet
Hardware Included	Yes



EDGERACK 5M SERIES - HARDWARE INCLUDED

Hardware	Quantity
M6 Cage Nuts	50 PCS
Screws for M6 Cage Nuts	50 PCS
Washers for M6 Cage Nuts	50 PCS
Anchoring Brackets	1 Set
M8 Bolts	4 PCS
M8 Washers	4 PCS

RCU- HARDWARE INCLUDED

Hardware	Quantity
Exhaust Duct	1 PCS
Temperature Humidity Sensor	1 PCS
Water Drainage Hose	1 PCS

Model Matrix

PN	Description
ECX-ER5M-42U60	ECX-61242 Cabinet (600mm W x 1200mm D x 42U H) ,RCU (Rack Cooling Unit) 5kW, 60Hz, L6-20 Plug
ECX-ER5M-45U60	ECX-61245 cabinet (600mm W x 1200mm D x 45U H), RCU (Rack Cooling Unit) 5kW, 60Hz, L6-20 Plug
ECX-ER5M-48U60	ECX-61248 cabinet (600mm W x 1200mm D x 48U H), RCU (Rack Cooling Unit) 5kW, 60Hz, L6-20 Plug
ECX-ER5M-42U50	ECX-61242 cabinet (600mm W x 1200mm D x 42U H) , RCU (Rack Cooling Unit) 5kW, 50Hz, CEE7/7 Plug
ECX-ER5M-45U50	ECX-61242 cabinet (600mm W x 1200mm D x 45U H) , RCU (Rack Cooling Unit) 5kW, 50Hz, CEE7/7 Plug
ECX-ER5M-48U50	ECX-61242 cabinet (600mm W x 1200mm D x 48U H), RCU (Rack Cooling Unit) 5kW, 50Hz, CEE7/7 Plug

PRODUCT CERTIFICATIONS

All EdgeRack 5M Series Cabinets are UL tested and certified. It is important for our customers to know that our products have been tested to the applicable standards and this provides our products with credibility in the marketplace.

