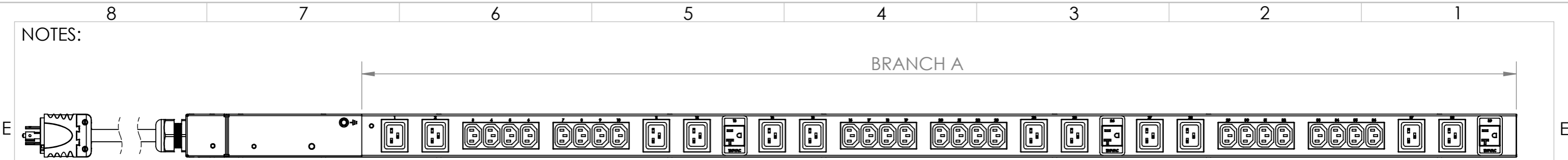
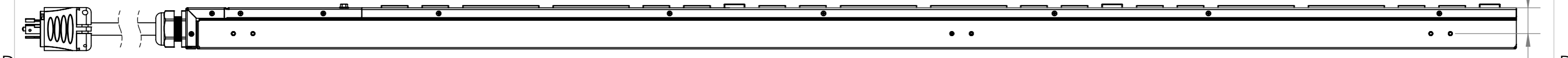


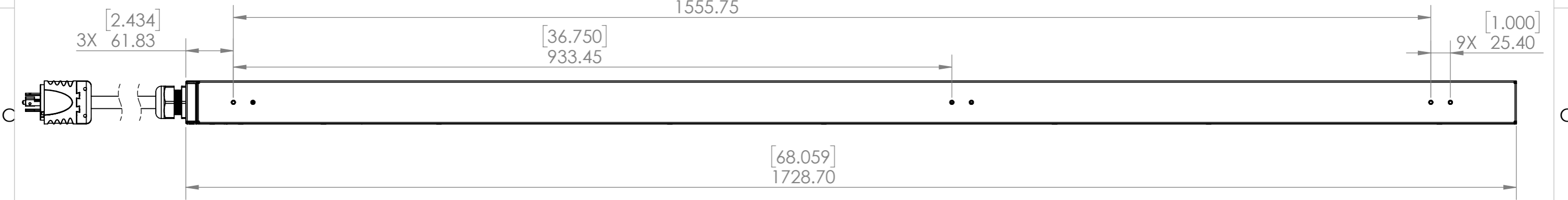
NOTES:



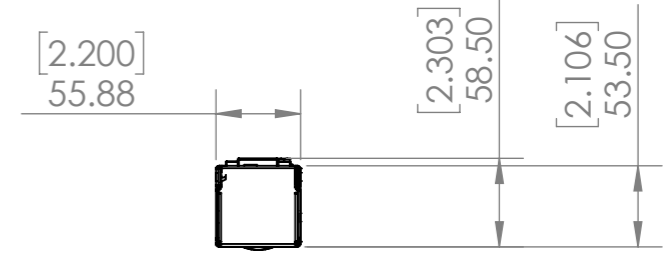
TOP VIEW



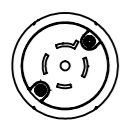
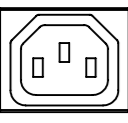
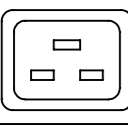
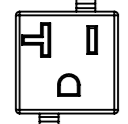
RIGHT VIEW



REAR VIEW




BOTTOM VIEW

PLUG/ RECEPTACLE BLOCK	
	PLUG NEMA L21-20P, 4P-5W 20A, 120/240VAC
	RECEPTACLE IEC 60320/C13 10A, 250V MAX RATED OUTPUT
	RECEPTACLE IEC 60320/C19 16A, 250V MAX RATED OUTPUT
	RECEPTACLE NEMA 5-15/20R 20A, 240V MAX RATED OUTPUT

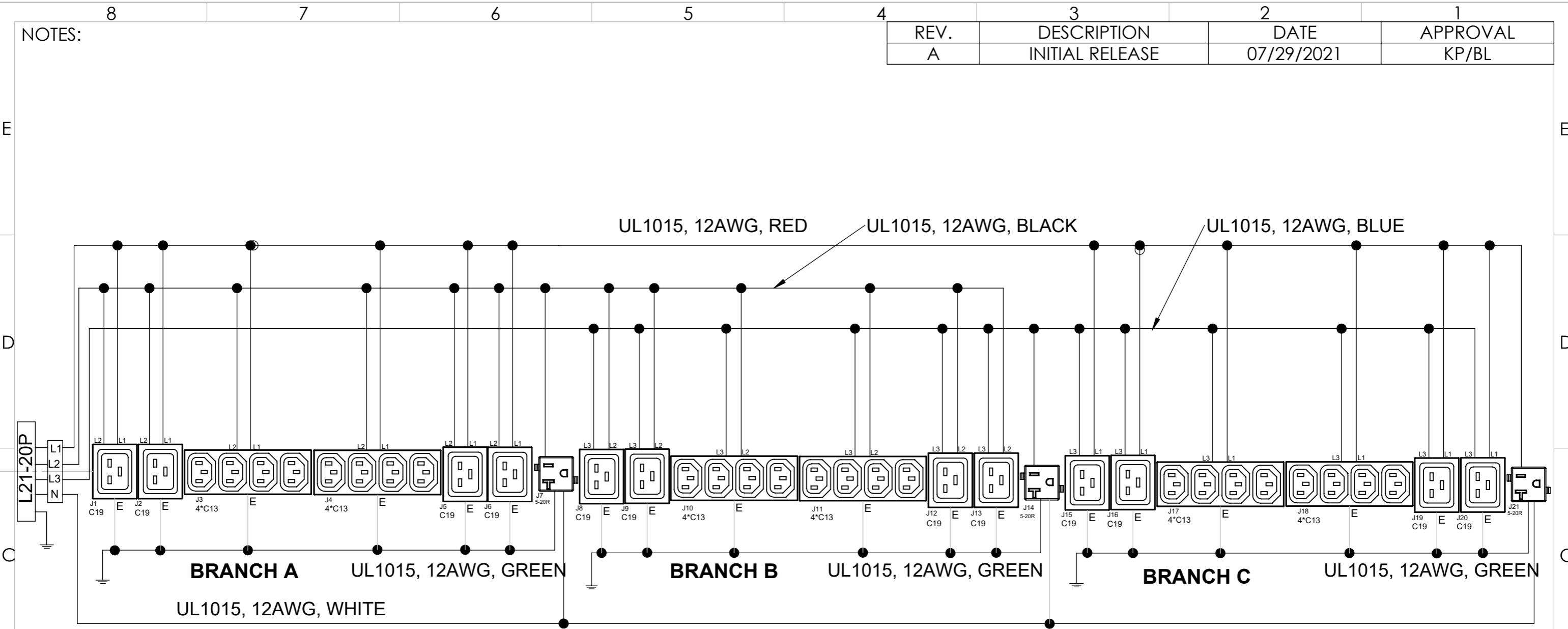
UNIT TYPE:
ORIENTATION:
OUTLET QTY & TYPE:
INPUT VOLTAGE:
INPUT CURRENT:
BREAKER QTY & TYPE:
INPUT PHASE:
RATED POWER:
INPUT PLUG:
INPUT POWER CORD:
REGULATORY STANDARD:

BASIC INPUT
VERTICAL, 0U FULL
(24) C13, (12) C19, (3) NEMA 5-15/20R
120/240 VAC
16A
0
THREE PHASE WYE
4.8kVA
L21-20
3m (10') TOP FEED
CSA COMPLIANCE

<p>PROPRIETARY AND CONFIDENTIAL</p> <p>This drawing and its specifications are the property of ENCONNEX and shall not be copied, reproduced, or used in whole or in part, as the basis for the manufacture or sale of items without written permission from ENCONNEX. This drawing is based upon the latest available information and is subject to change without notice.</p>	<p>UNLESS OTHERWISE SPECIFIED</p> <p>X = ± 1 X.X = ± 0.5 X.XX = ± 0.30 X.XXX = ± 0.130 ANGULAR X = 1° X = 0.5° .XX = 0.25°</p>	 <p>4670 AIRCENTER CIRCLE RENO, NV 89502</p>	<p>DESCRIPTION:</p> <p>208V/20A, THREE PHASE, 39 OUTLETS, 24 C13, 12 C19, 3 NEMA N5-15/20 L21-20P</p>						
	<p>COMMENTS:</p>		<p>MATERIAL:</p>	<p>FINISH:</p>	<p>CLASS:</p>	<p>SIZE: A3</p>			
<p>UNITS: mm [in]</p>	<table border="1"> <tr> <th>NAME</th> <th>DATE</th> </tr> <tr> <td> </td> <td> </td> </tr> </table>	NAME	DATE			<p>DEBURR AND BREAK SHARP EDGES/CONTOURS AT 0.2mm MAX</p>	<p>SCALE: 1:5</p>	<p>WEIGHT:</p>	<p>SHEET: 1 OF 2</p>
NAME	DATE								

NOTES:

REV.	DESCRIPTION	DATE	APPROVAL
A	INITIAL RELEASE	07/29/2021	KP/BL



WIRE IDENTIFICATION CHART 3 PHASE 208V	
WIRE BRANCH	COLOR
LEG 1	BLACK
LEG 2	RED
LEG 3	BLUE OR ORANGE
NEUTRAL	WHITE
EARTH GROUND	GREEN - GREEN/YELLOW

<p>PROPRIETARY AND CONFIDENTIAL</p> <p>This drawing and its specifications are the property of ENCONNEX and shall not be copied, reproduced, or used in whole or in part, as the basis for the manufacture or sale of items without written permission from ENCONNEX. This drawing is based upon the latest available information and is subject to change without notice.</p>	<p>UNLESS OTHERWISE SPECIFIED</p> <p>X = ± 1 X.X = ± 0.5 X.XX = ± 0.30 X.XXX = ± 0.130</p> <p>ANGULAR X = 1° .X = 0.5° .XX = 0.25°</p>	<p>4670 AIRCENTER CIRCLE RENO, NV 89502</p>	<p>DESCRIPTION:</p> <p>208V/20A, THREE PHASE, 39 OUTLETS, 24 C13, 12 C19, 3 NEMA N5-15/20 L21-20P</p>			
	<p>COMMENTS:</p>		<p>MATERIAL:</p>	<p>FINISH:</p>	<p>CLASS:</p> <p>A</p>	<p>SIZE:</p> <p>A3</p>
<p>UNITS: mm [in]</p>	<p>INTERPRET TO ASME Y14.100</p>	<p>DEBURR AND BREAK SHARP EDGES/CONTOURS AT 0.2mm MAX</p>	<p>SCALE: 2:1</p>	<p>WEIGHT:</p>	<p>SHEET: 2 OF 2</p>	