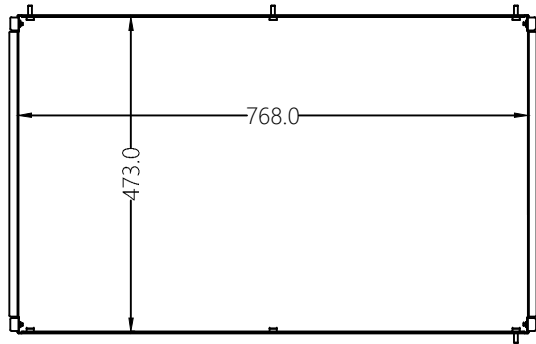
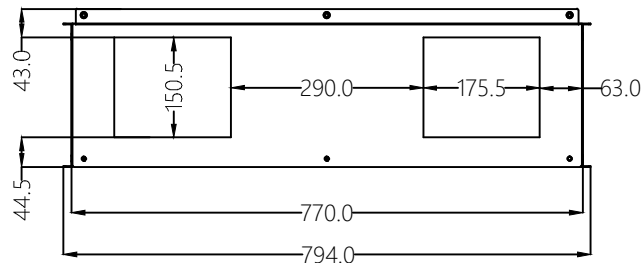
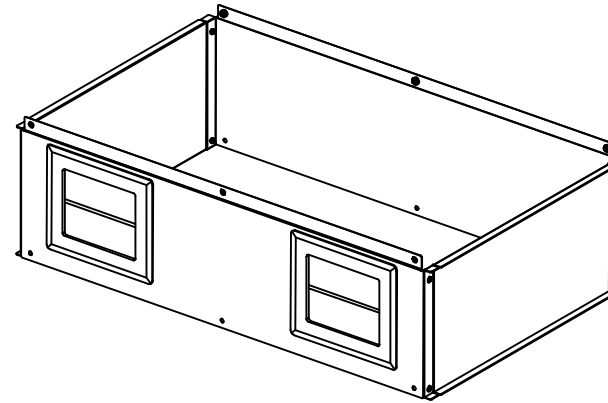


Notes/Instructions:

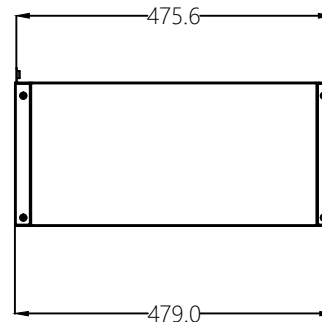
REV	REV DATE	DESCRIPTION	APPROVAL
-	-	-	-



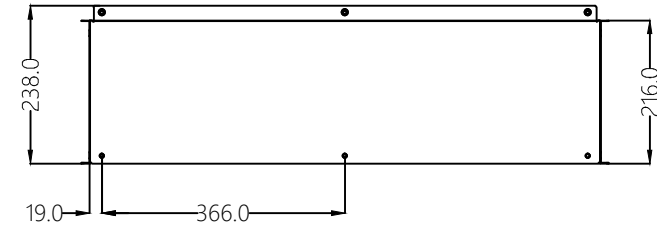
TOP VIEW



FRONT VIEW




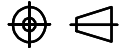

SIDE VIEW



RAER VIEW

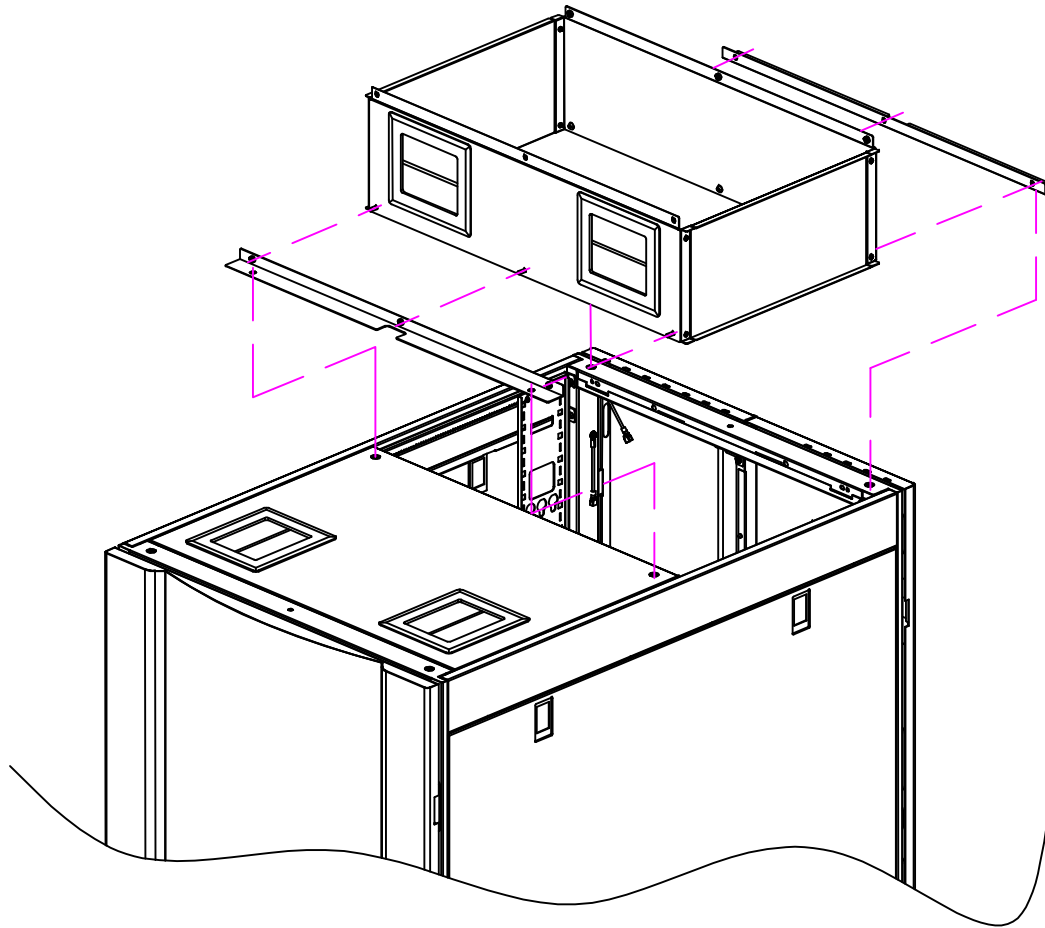
Notes:

This drawing and its specifications are the property of ENCONNEX and shall not be copied, reproduced, or used in whole or in part, as the basis for the manufacture or sale of items without written permission from ENCONNEX. This drawing is based upon the latest available information and is subject to change without notice.

TOLERANCES LINEAR (mm) X = ± 1 X.X = ± 0.5 X.XX = ± 0.30 X.XXX = ± 0.130 ANGULAR X = 1° .X = 0.5° .XX = 0.25°	PRODUCT:	 4670 AIRCENTER CIRCLE, RENO, NV 89502	PART NUMBER: ECX-VED8-CABEXT
	WEIGHT:		DESCRIPTION: Chimney passthrough
	DEBUR AND BREAK SHARP EDGES/CORNERS AT 0.2mm MAX	DRAWN BY: AMY ZHU	ORG DATE: 2019-11-08
	INTERPRET TO ASME Y14.100	APPROVED BY: FANCY FAN	REV DATE: 2019-11-08
UNITS: mm [in]	SIZE: A4	SCALE: N/A	SHEET: 1/2
			REV: A


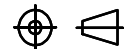

Notes/Instructions:

REV	REV DATE	DESCRIPTION	APPROVAL
-	-	-	-



Notes:

This drawing and its specifications are the property of ENCONNEX and shall not be copied, reproduced, or used in whole or in part, as the basis for the manufacture or sale of items without written permission from ENCONNEX. This drawing is based upon the latest available information and is subject to change without notice.

<p>TOLERANCES LINEAR (mm) X = ± 1 X.X = ± 0.5 X.XX = ± 0.30 X.XXX = ± 0.130 ANGULAR X = 1° .X = 0.5° .XX = 0.25°</p>	PRODUCT:	 4670 AIRCENTER CIRCLE, RENO, NV 89502	PART NUMBER: ECX-VED8-CABEXT
	WEIGHT:		DESCRIPTION: Chimney passthrough
	DEBUR AND BREAK SHARP EDGES/CORNERS AT 0.2mm MAX	DRAWN BY: AMY ZHU	ORG DATE: 2019-11-08
	INTERPRET TO ASME Y14.100	APPROVED BY: FANCY FAN	REV DATE: 2019-11-08
UNITS: mm [in]		SIZE: A4	SCALE: N/A
		SHEET: 2/2	REV: A