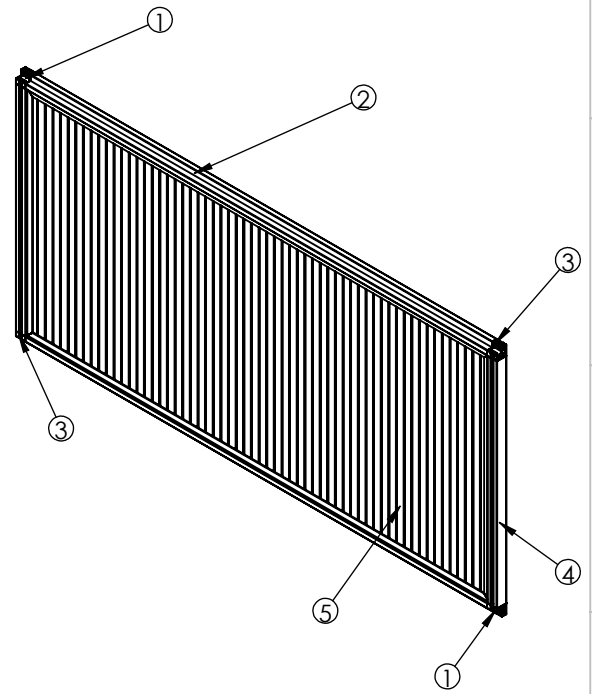
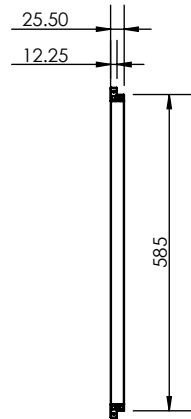
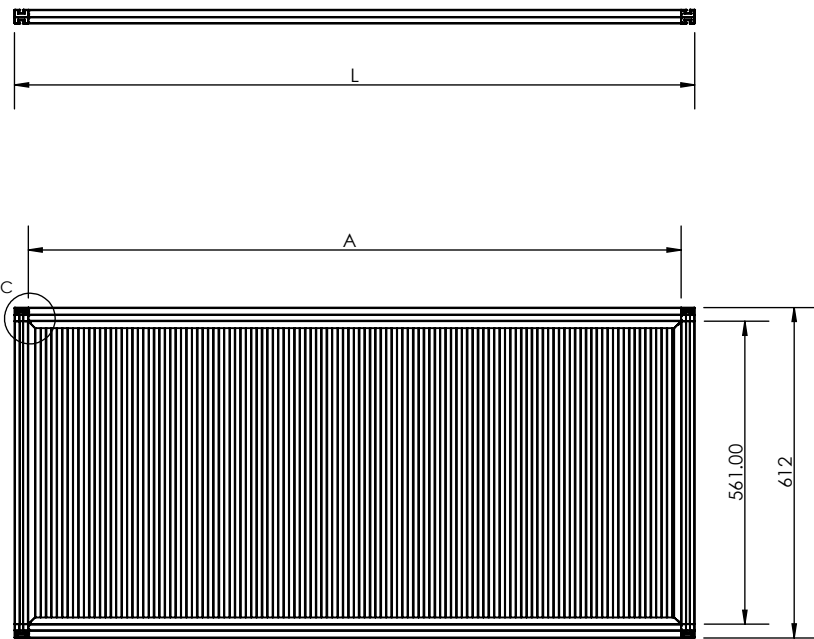
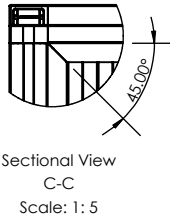


THIS DRAWING AND SPECIFICATIONS HEREIN ARE THE PROPERTY OF ENCONNEX LLC. AND SHALL NOT BE COPIED, REPRODUCED OR USED IN WHOLE OR IN PART, AS THE BASIS FOR THE MANUFACTURE OR SALE OF ITEMS WITHOUT THE WRITTEN PERMISSION OF ENCONNEX LLC. THIS DRAWING IS SUBJECT TO CHANGE WITHOUT NOTICE.

REVISIONS				
REV.	SUFFIX	DESCRIPTION	DATE	APPROVED
A		Full Released	2021.4.12	Fancy Fan



	PN	A/mm	L/mm
ECX-DP-06XXXX-F	ECX-DP-061260-F	1209.00	1260
	ECX-DP-061380-F	1329.00	1380
	ECX-DP-061870-F	1819.00	1870
	ECX-DP-061990-F	1939.00	1990

ITEM	PN	DESCRIPTION	MATERIAL/REMARK	QTY.
1	ECX-CMCT-PNLCNR-1	Connector-1, Plastic	Reinforced PP	2 PCS
1	QB-GL13-113	L Type	6063-T5	2 PCS
3	ECX-CMCT-PNLCNR-2	Connector-2, Plastic	Reinforced PP	2 PCS
4	QB-GL13-112	H Type	6063-T5	2 PCS
5	ENCN-21041201	Ceilume Polyline 2Ft x 4Ft Frosted	2' Edge Cut to 555mm, 4' Edge Cut As Required.	2 PCS
6*	ENCN-21041202	1" x 2" Self-Adhesive Velco Strip Black	Pasted On Site	4 PAIRS

UNLESS NOTED, DIMENSIONS IN MILLIMETERS & TOLERANCES ARE:

X. ± 1 MM	X° ± 1°
X.X ± 0.5 MM	X.X° ± 0.5°
X.XX ± 0.20 MM	
ØX.X ± 0.3 MM	
ØX.XX ± 0.10 MM	

4670 AIRCENTER CIRCLE, RENO, NV89502

PRODUCT LINE: Drop Away Panel

PART NUMBER: ECX-DP-06XXXX-F

DESCRIPTION:

DRAWING FILE NAME: ECX-DP-06XXXX-F

3D MODEL FILE NAME: ECX-DP-06XXXX-F

3D MODEL CONFIGURATION

ENGINEER: Carson Tao

DRAWN: Amy Zhu

ITEM WEIGHT (REFERENCE ONLY)

THIRD ANGLE PROJECTION

UNITS:MM[IN] INTERPRET TO ASME Y14.100 SIZE: B SCALE:1:20 DO NOT SCALE DRAWING SHEET:1/1

ORG DATE:2021.4.12

REV DATE:2021.4.12

REV:A