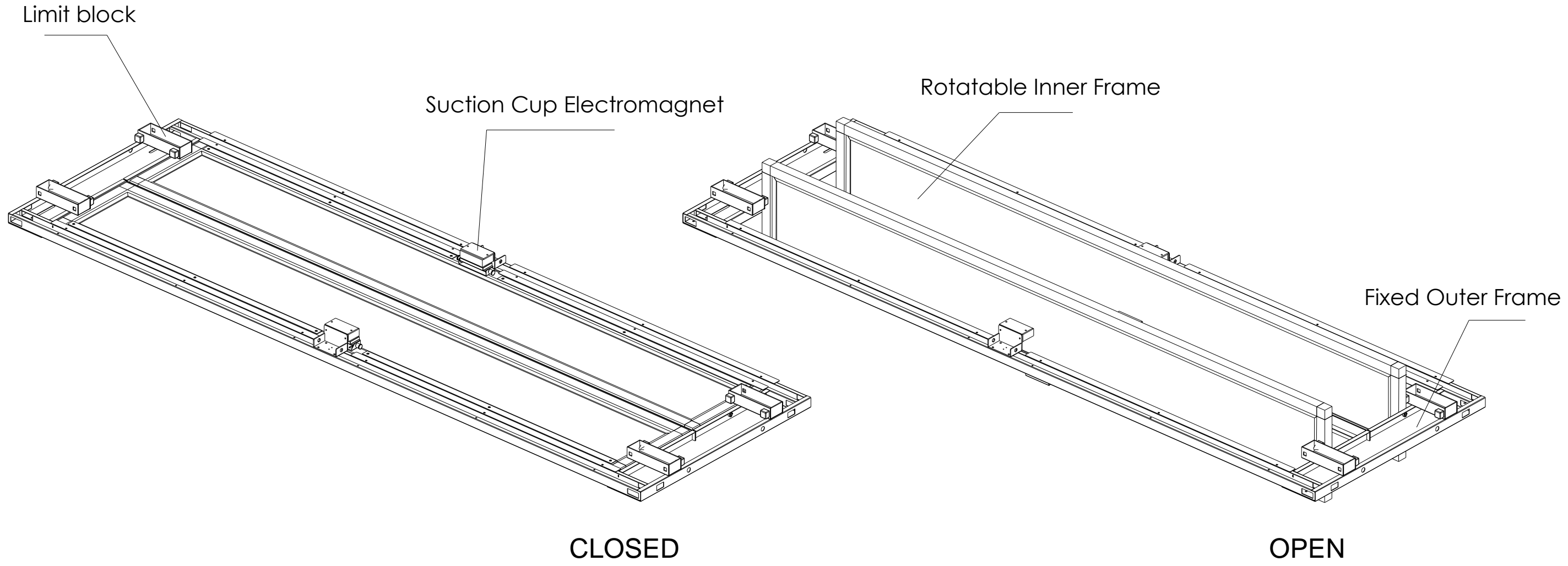


THIS DRAWING AND SPECIFICATIONS HEREIN ARE THE PROPERTY OF ENCONNEX LLC, AND SHALL NOT BE COPIED, REPRODUCED OR USED IN WHOLE OR IN PART, AS THE BASIS FOR THE MANUFACTURE OR SALE OF ITEMS WITHOUT THE WRITTEN PERMISSION OF ENCONNEX LLC. THIS DRAWING IS SUBJECT TO CHANGE WITHOUT NOTICE.

REVISIONS				
REV.	SUFFIX	DESCRIPTION	DATE	APPROVED
A		Full Release	2020-05-18	FANCY FAN



- NOTES, UNLESS OTHERWISE SPECIFIED:
1. MATERIAL: SEE INDIVIDUAL MARK
  2. FINISH: RAL9005 TEXTURE POWDER COATING
  3. PART MUST BE SUFFICIENTLY FREE OF BURRS AND SHARP EDGES TO PASS UL 1439 SHARP EDGE TEST.
  4. 3D CAD AVAILABLE IN ADDITION TO PDF PRINT. SHOULD DISCREPANCY ARISE, CONSULT ENCONNEX ENGINEERING IMMEDIATELY.
  5. ALL PARTS TO BE FREE OF DIRT OR GRIME THAT PREVENTS LABEL ADHESION OR ALLOWS TRANSFER ONTO COSMETIC AREAS.
  6. MUST BE ROHS COMPLIANT, INCLUDING HARDWARE. IF CONFLICTING SPECIFICATIONS EXIST, CONTACT ENCONNEX ENGINEERING.
  7. DIMENSIONS IDENTIFIED WITH (X.XX) ARE CONSIDERED CRITICAL TO QUALITY (CTQ) DIMENSIONS. THESE DIMENSIONS ARE EXPECTED TO BE MONITORED STATISTICALLY AND DOCUMENTED AS PART OF THE FABRICATION PROCESS.

UNLESS NOTED, DIMENSIONS IN MILLIMETERS & TOLERANCES ARE:			PRODUCT LINE: Containment Tilt Window				
X. ±1 MM	X° ±1°		PART NUMBER: ECX-618-SPLIT-TLT-CLG-001				
X.X ±0.5 MM	X.X° ±0.5°	4670 AIRCENTER CIRCLE, RENO, NV89502	DESCRIPTION: Containment Tilt Window 600mm W x 1800mm D				
X.XX ±0.20 MM			DRAWING FILE NAME ECX-618-SPLIT-TLT-CLG-001	ENGINEER: FANCY.FAN	ORG DATE: 2020-05-18		
ØX.X ±0.3 MM			3D MODEL FILE NAME ECX-618-SPLIT-TLT-CLG-001	DRAWN: SAM.DING	REV DATE: 2020-05-18		
ØX.XX ±0.10 MM		THIRD ANGLE PROJECTION Default	3D MODEL CONFIGURATION ITEM WEIGHT (REFERENCE ONLY)				
		UNITS:MM[IN]	INTERPRET TO ASME Y14.100	SIZE: B	SCALE:N/A	DO NOT SCALE DRAWING	SHEET: 1/5

F  
E  
D  
C  
B  
A

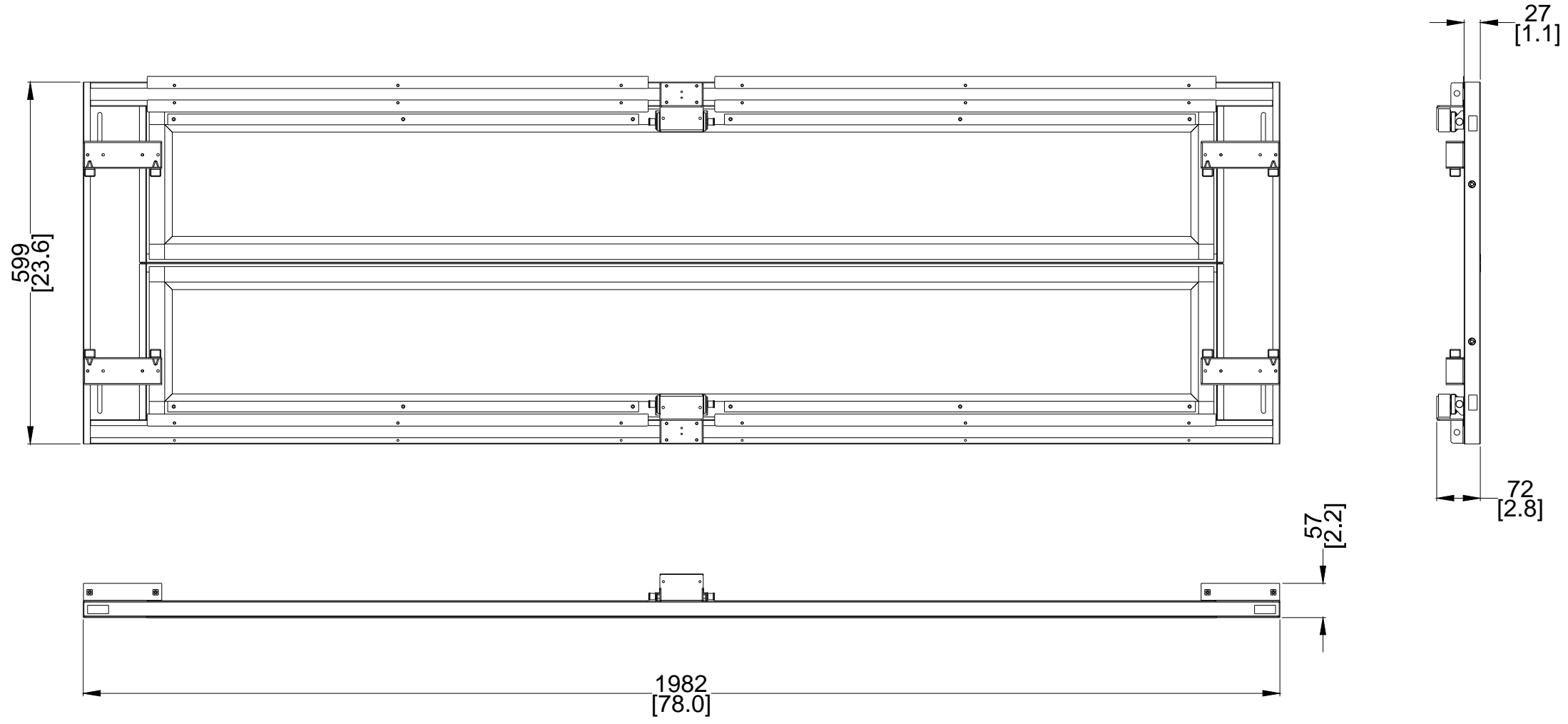
F  
E  
D  
C  
B  
A

8 7 6 5 4 3 2 1

8 7 6 5 4 3 2 1

THIS DRAWING AND SPECIFICATIONS HEREIN ARE THE PROPERTY OF ENCONNEX LLC, AND SHALL NOT BE COPIED, REPRODUCED OR USED IN WHOLE OR IN PART, AS THE BASIS FOR THE MANUFACTURE OR SALE OF ITEMS WITHOUT THE WRITTEN PERMISSION OF ENCONNEX LLC. THIS DRAWING IS SUBJECT TO CHANGE WITHOUT NOTICE.

REVISIONS				
REV.	SUFFIX	DESCRIPTION	DATE	APPROVED
A		Full Release	2020-05-18	FANCY FAN



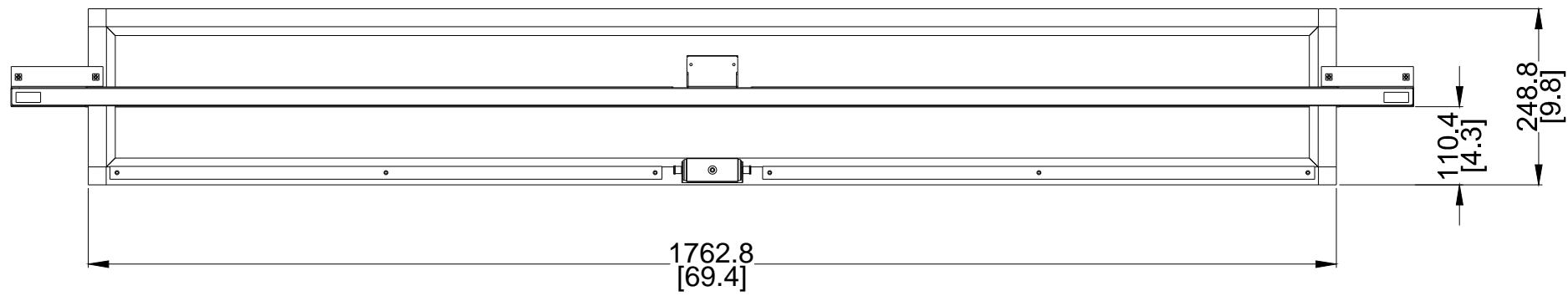
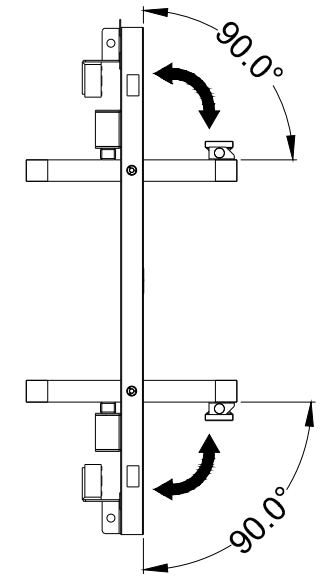
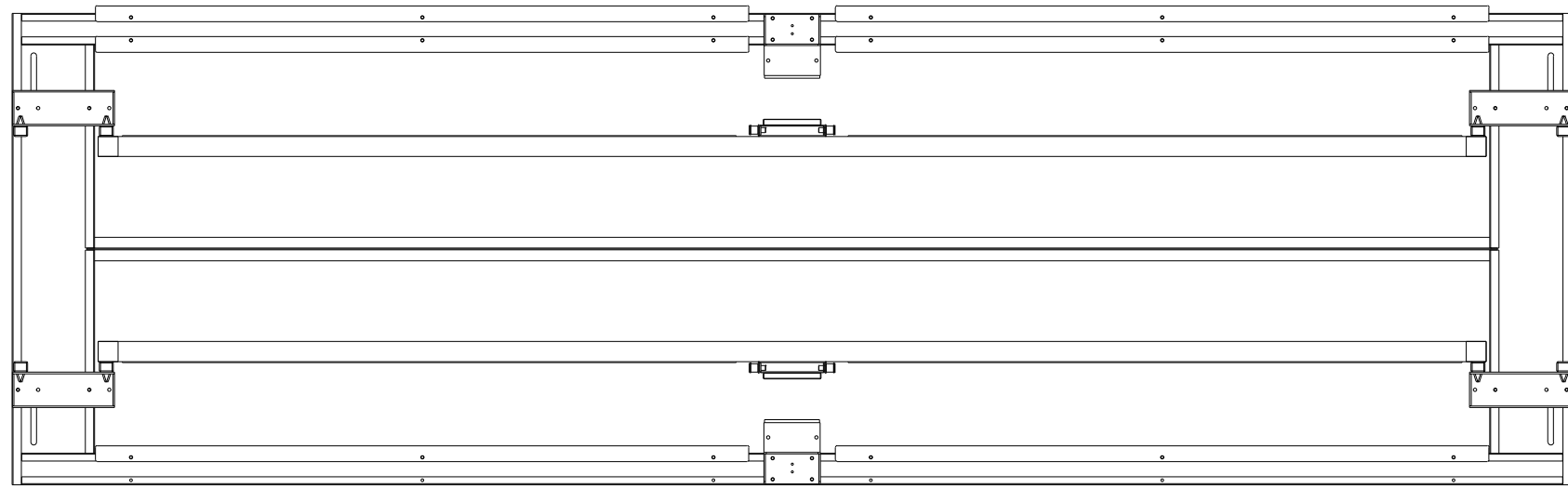
NOTES, UNLESS OTHERWISE SPECIFIED:

1. MATERIAL: SEE INDIVIDUAL MARK
2. FINISH: RAL9005 TEXTURE POWDER COATING
3. PART MUST BE SUFFICIENTLY FREE OF BURRS AND SHARP EDGES TO PASS UL 1439 SHARP EDGE TEST.
4. 3D CAD AVAILABLE IN ADDITION TO PDF PRINT. SHOULD DISCREPANCY ARISE, CONSULT ENCONNEX ENGINEERING IMMEDIATELY.
5. ALL PARTS TO BE FREE OF DIRT OR GRIME THAT PREVENTS LABEL ADHESION OR ALLOWS TRANSFER ONTO COSMETIC AREAS.
6. MUST BE ROHS COMPLIANT, INCLUDING HARDWARE. IF CONFLICTING SPECIFICATIONS EXIST, CONTACT ENCONNEX ENGINEERING.
7. DIMENSIONS IDENTIFIED WITH (X.XX) ARE CONSIDERED CRITICAL TO QUALITY (CTQ) DIMENSIONS. THESE DIMENSIONS ARE EXPECTED TO BE MONITORED STATISTICALLY AND DOCUMENTED AS PART OF THE FABRICATION PROCESS.

UNLESS NOTED, DIMENSIONS IN MILLIMETERS & TOLERANCES ARE: X. ±1 MM X° ±1° X.X ±0.5 MM X.X° ±0.5° X.XX ±0.20 MM ØX.X ±0.3 MM ØX.XX ±0.10 MM		PRODUCT LINE: Containment Tilt Window			
		PART NUMBER: ECX-618-SPLIT-TLT-CLG-001			
	4670 AIRCENTER CIRCLE, RENO, NV89502	DESCRIPTION: Containment Tilt Window 600mm W x 1800mm D			
		DRAWING FILE NAME: ECX-618-SPLIT-TLT-CLG-001 3D MODEL FILE NAME: ECX-618-SPLIT-TLT-CLG-001 3D MODEL CONFIGURATION: Default	ENGINEER: FANCY.FAN DRAWN: SAM.DING ITEM WEIGHT (REFERENCE ONLY)	ORG DATE: 2020-05-18 REV DATE: 2020-05-18 REV: A	
UNITS:MM[IN]	INTERPRET TO ASME Y14.100	SIZE: B	SCALE:N/A	DO NOT SCALE DRAWING	SHEET: 1/5


8 THIS DRAWING AND SPECIFICATIONS HEREIN ARE THE PROPERTY OF ENCONNEX LLC, AND SHALL NOT BE COPIED, REPRODUCED OR USED IN WHOLE OR IN PART, AS THE BASIS FOR THE MANUFACTURE OR SALE OF ITEMS WITHOUT THE WRITTEN PERMISSION OF ENCONNEX LLC. THIS DRAWING IS SUBJECT TO CHANGE WITHOUT NOTICE.

REVISIONS				
REV.	SUFFIX	DESCRIPTION	DATE	APPROVED
A		Full Release	2020-05-18	FANCY FAN



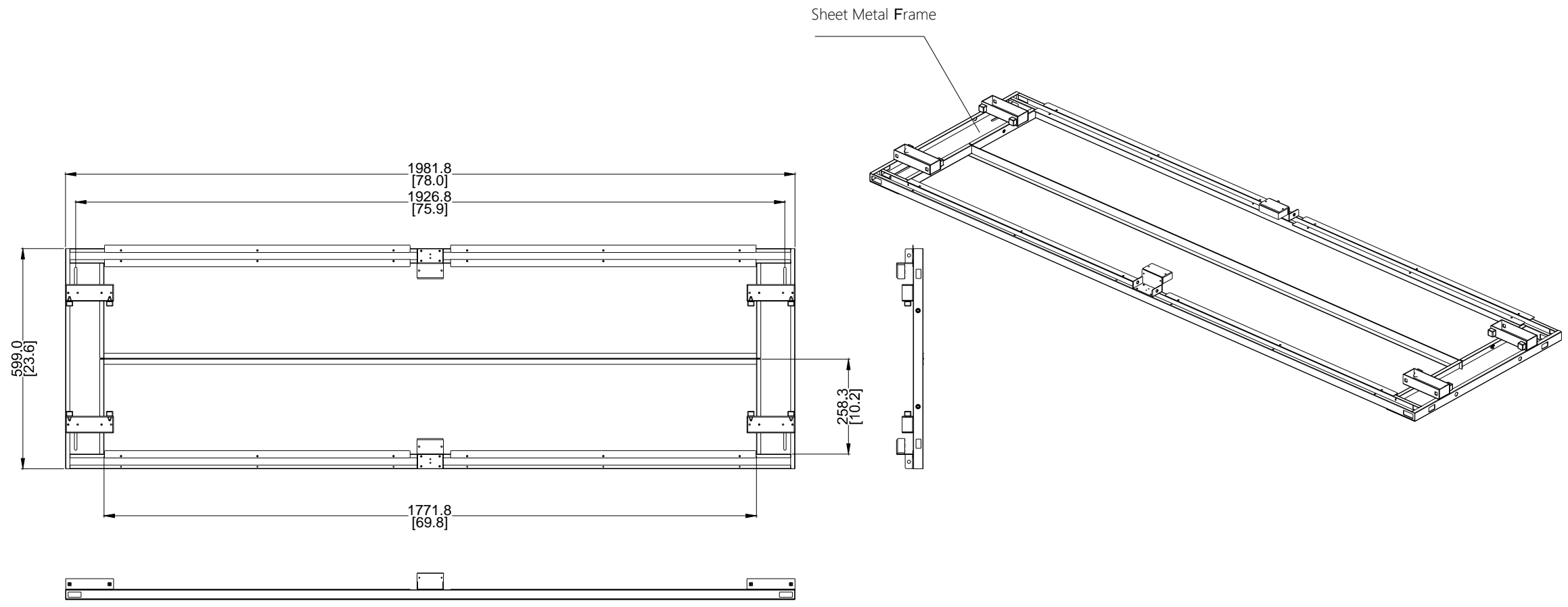
NOTES, UNLESS OTHERWISE SPECIFIED:

1. MATERIAL: SEE INDIVIDUAL MARK
2. FINISH: RAL9005 TEXTURE POWDER COATING
3. PART MUST BE SUFFICIENTLY FREE OF BURRS AND SHARP EDGES TO PASS UL 1439 SHARP EDGE TEST.
4. 3D CAD AVAILABLE IN ADDITION TO PDF PRINT. SHOULD DISCREPANCY ARISE, CONSULT ENCONNEX ENGINEERING IMMEDIATELY.
5. ALL PARTS TO BE FREE OF DIRT OR GRIME THAT PREVENTS LABEL ADHESION OR ALLOWS TRANSFER ONTO COSMETIC AREAS.
6. MUST BE ROHS COMPLIANT, INCLUDING HARDWARE. IF CONFLICTING SPECIFICATIONS EXIST, CONTACT ENCONNEX ENGINEERING.
7. DIMENSIONS IDENTIFIED WITH (X.XX) ARE CONSIDERED CRITICAL TO QUALITY (CTQ) DIMENSIONS. THESE DIMENSIONS ARE EXPECTED TO BE MONITORED STATISTICALLY AND DOCUMENTED AS PART OF THE FABRICATION PROCESS.

UNLESS NOTED, DIMENSIONS IN MILLIMETERS & TOLERANCES ARE:			PRODUCT LINE: Containment Tilt Window		
X. ±1 MM	X° ±1°		PART NUMBER: ECX-618-SPLIT-TLT-CLG-001		
X.X ±0.5 MM	X.X° ±0.5°	4670 AIRCENTER CIRCLE, RENO, NV89502	DESCRIPTION: Containment Tilt Window 600mm W x 1800mm D		
X.XX ±0.20 MM			DRAWING FILE NAME ECX-618-SPLIT-TLT-CLG-001	ENGINEER: FANCY.FAN	ORG DATE: 2020-05-18
ØX.X ±0.3 MM			3D MODEL FILE NAME ECX-618-SPLIT-TLT-CLG-001	DRAWN: SAM.DING	REV DATE: 2020-05-18
ØX.XX ±0.10 MM		THIRD ANGLE PROJECTION	3D MODEL CONFIGURATION Default	ITEM WEIGHT (REFERENCE ONLY)	REV: A
UNITS:MM[IN]	INTERPRET TO ASME Y14.100	SIZE: B	SCALE:N/A	DO NOT SCALE DRAWING	SHEET: 1/5

THIS DRAWING AND SPECIFICATIONS HEREIN ARE THE PROPERTY OF ENCONNEX LLC, AND SHALL NOT BE COPIED, REPRODUCED OR USED IN WHOLE OR IN PART, AS THE BASIS FOR THE MANUFACTURE OR SALE OF ITEMS WITHOUT THE WRITTEN PERMISSION OF ENCONNEX LLC. THIS DRAWING IS SUBJECT TO CHANGE WITHOUT NOTICE.

REVISIONS				
REV.	SUFFIX	DESCRIPTION	DATE	APPROVED
A		Full Release	2020-05-18	FANCY FAN



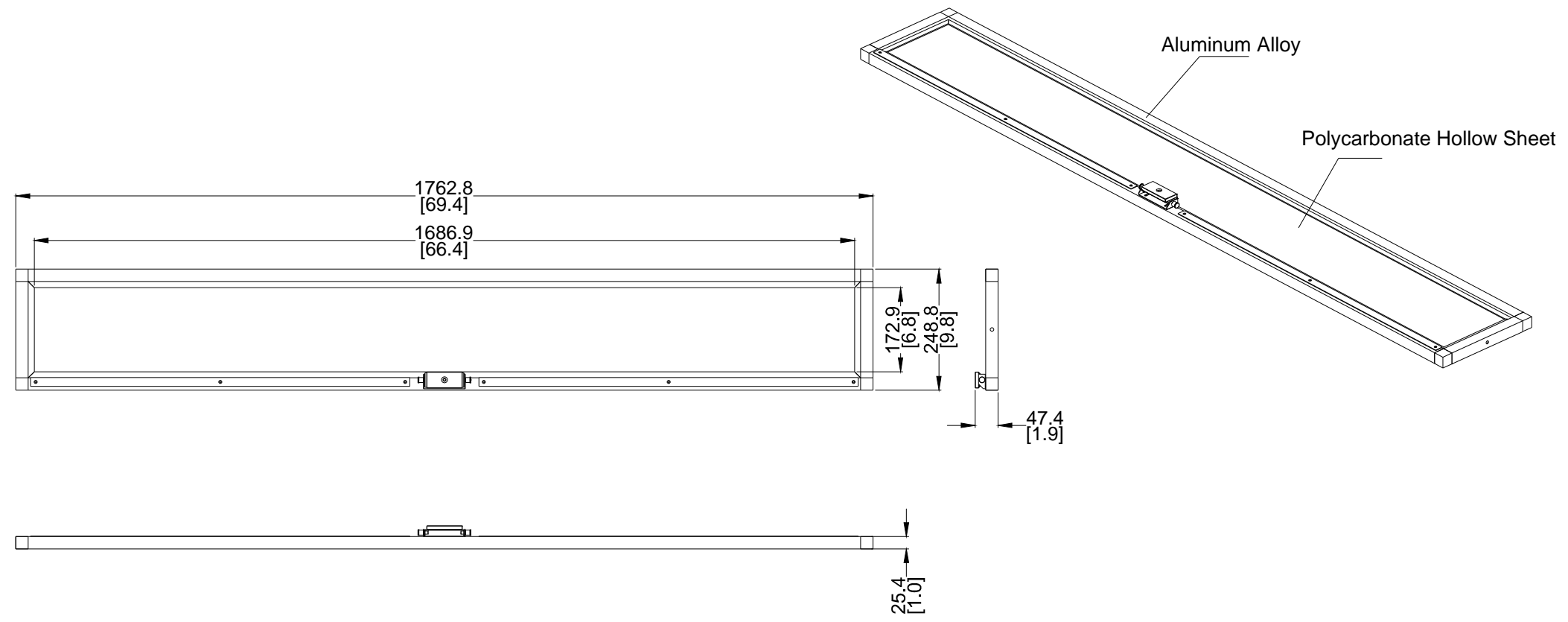
NOTES, UNLESS OTHERWISE SPECIFIED:

1. MATERIAL: SEE MACKED
2. FINISH: RAL9005 TEXTURE POWDER COATING
3. PART MUST BE SUFFICIENTLY FREE OF BURRS AND SHARP EDGES TO PASS UL 1439 SHARP EDGE TEST.
4. 3D CAD AVAILABLE IN ADDITION TO PDF PRINT. SHOULD DISCREPANCY ARISE, CONSULT ENCONNEX ENGINEERING IMMEDIATELY.
5. ALL PARTS TO BE FREE OF DIRT OR GRIME THAT PREVENTS LABEL ADHESION OR ALLOWS TRANSFER ONTO COSMETIC AREAS.
6. MUST BE ROHS COMPLIANT, INCLUDING HARDWARE. IF CONFLICTING SPECIFICATIONS EXIST, CONTACT ENCONNEX ENGINEERING.
7. DIMENSIONS IDENTIFIED WITH (X.XX) ARE CONSIDERED CRITICAL TO QUALITY (CTQ) DIMENSIONS. THESE DIMENSIONS ARE EXPECTED TO BE MONITORED STATISTICALLY AND DOCUMENTED AS PART OF THE FABRICATION PROCESS.


UNLESS NOTED, DIMENSIONS IN MILLIMETERS & TOLERANCES ARE:			PRODUCT LINE: Containment Tilt Window	
X. ±1 MM	X° ±1°		PART NUMBER: ECX-618-SPLIT-TLT-CLG-001	
X.X ±0.5 MM	X.X° ±0.5°	4670 AIRCENTER CIRCLE, RENO, NV89502	DESCRIPTION: Containment Tilt Window 600mm W x 1800mm D	
X.XX ±0.20 MM			DRAWING FILE NAME ECX-618-SPLIT-TLT-CLG-001	
ØX.X ±0.3 MM		3D MODEL FILE NAME ECX-618-SPLIT-TLT-CLG-001		ENGINEER: FANCY.FAN
ØX.XX ±0.10 MM		3D MODEL CONFIGURATION Default		ORG DATE: 2020-05-18
THIRD ANGLE PROJECTION		DRAWN: SAM.DING		REV DATE: 2020-05-18
UNITS:MM[IN]		ITEM WEIGHT (REFERENCE ONLY)		REV: A
INTERPRET TO ASME Y14.100		SCALE:N/A		SHEET: 1/5
SIZE: B		DO NOT SCALE DRAWING		

THIS DRAWING AND SPECIFICATIONS HEREIN ARE THE PROPERTY OF ENCONNEX LLC, AND SHALL NOT BE COPIED, REPRODUCED OR USED IN WHOLE OR IN PART, AS THE BASIS FOR THE MANUFACTURE OR SALE OF ITEMS WITHOUT THE WRITTEN PERMISSION OF ENCONNEX LLC. THIS DRAWING IS SUBJECT TO CHANGE WITHOUT NOTICE.

REVISIONS				
REV.	SUFFIX	DESCRIPTION	DATE	APPROVED
A		Full Release	2020-05-18	FANCY FAN



- NOTES, UNLESS OTHERWISE SPECIFIED:
1. MATERIAL: SEE MACKED
  2. FINISH: RAL9005 TEXTURE POWDER COATING
  3. PART MUST BE SUFFICIENTLY FREE OF BURRS AND SHARP EDGES TO PASS UL 1439 SHARP EDGE TEST.
  4. 3D CAD AVAILABLE IN ADDITION TO PDF PRINT. SHOULD DISCREPANCY ARISE, CONSULT ENCONNEX ENGINEERING IMMEDIATELY.
  5. ALL PARTS TO BE FREE OF DIRT OR GRIME THAT PREVENTS LABEL ADHESION OR ALLOWS TRANSFER ONTO COSMETIC AREAS.
  6. MUST BE ROHS COMPLIANT, INCLUDING HARDWARE. IF CONFLICTING SPECIFICATIONS EXIST, CONTACT ENCONNEX ENGINEERING.
  7. DIMENSIONS IDENTIFIED WITH (X.XX) ARE CONSIDERED CRITICAL TO QUALITY (CTQ) DIMENSIONS. THESE DIMENSTONS ARE EXPECTED TO BE MONITORED STATISTICALLY AND DOCUMENTED AS PART OF THE FABRICATION PROCESS.

UNLESS NOTED, DIMENSIONS IN MILLIMETERS & TOLERANCES ARE:		 <b>ENCONNEX</b> 4670 AIRCENTER CIRCLE, RENO, NV89502	PRODUCT LINE: Containment Tilt Window	
X. ±1 MM	X° ±1°		PART NUMBER: ECX-618-SPLIT-TLT-CLG-001	
X.X ±0.5 MM	X.X° ±0.5°	DESCRIPTION: Containment Tilt Window 600mm W x 1800mm D		
X.XX ±0.20 MM		DRAWING FILE NAME ECX-618-SPLIT-TLT-CLG-001	ENGINEER: FANCY.FAN	ORG DATE: 2020-05-18
ØX.X ±0.3 MM		3D MODEL FILE NAME ECX-618-SPLIT-TLT-CLG-001	DRAWN: SAM.DING	REV DATE: 2020-05-18
ØX.XX ±0.10 MM		3D MODEL CONFIGURATION Default	ITEM WEIGHT (REFERENCE ONLY)	REV: A
THIRD ANGLE PROJECTION		UNITS:MM[IN]	INTERPRET TO ASME Y14.100	SIZE: B
		SCALE:N/A	DO NOT SCALE DRAWING	SHEET: 1/5