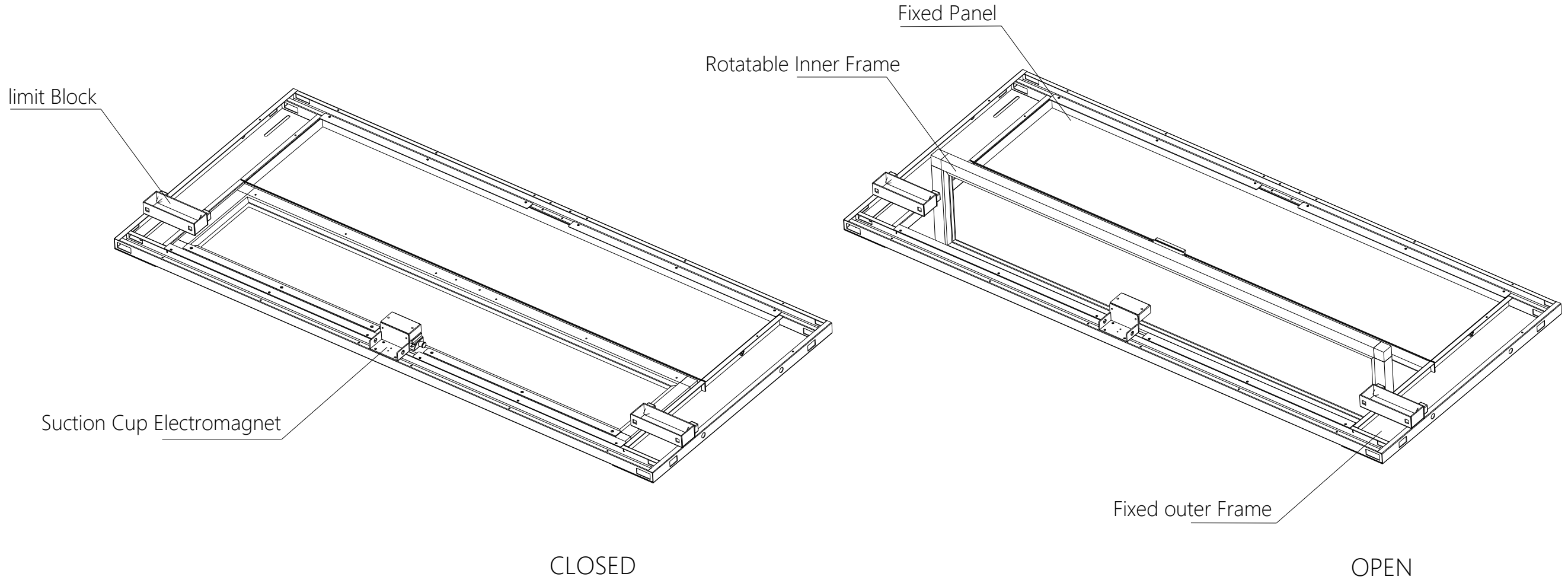


8 THIS DRAWING AND SPECIFICATIONS HEREIN ARE THE PROPERTY OF ENCONNEX LLC, AND SHALL NOT BE COPIED, REPRODUCED OR USED IN WHOLE OR IN PART, AS THE BASIS FOR THE MANUFACTURE OR SALE OF ITEMS WITHOUT THE WRITTEN PERMISSION OF ENCONNEX LLC. THIS DRAWING IS SUBJECT TO CHANGE WITHOUT NOTICE.

REVISIONS				
REV.	SUFFIX	DESCRIPTION	DATE	APPROVED
A		Full Release	2020-05-18	FANCY FAN

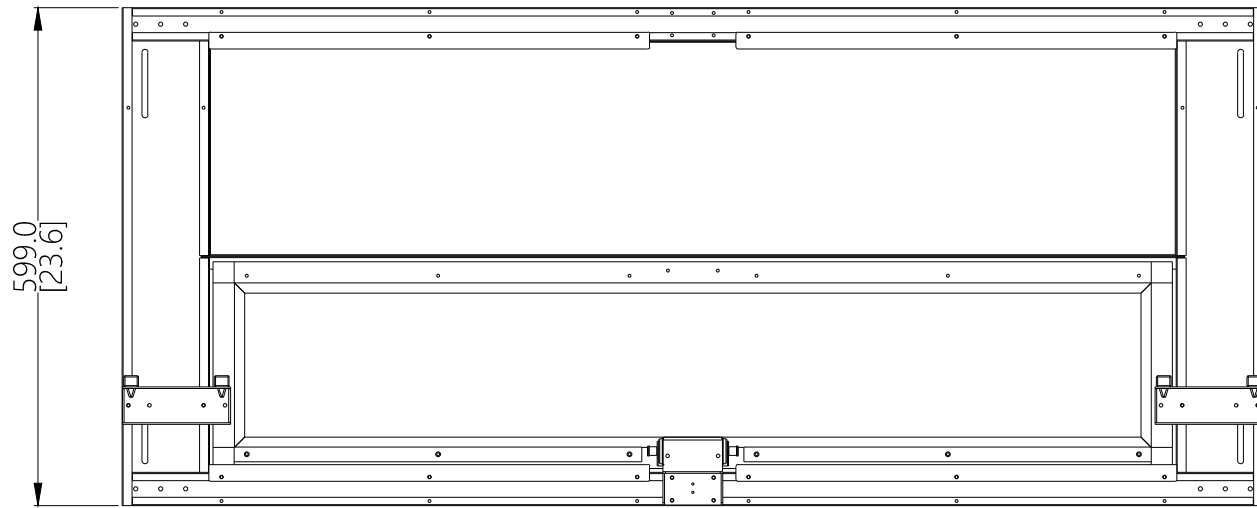


- NOTES, UNLESS OTHERWISE SPECIFIED:
1. MATERIAL: SEE INDIVIDUAL MARK
 2. FINISH: RAL9005 TEXTURE POWDER COATING
 3. PART MUST BE SUFFICIENTLY FREE OF BURRS AND SHARP EDGES TO PASS UL 1439 SHARP EDGE TEST.
 4. 3D CAD AVAILABLE IN ADDITION TO PDF PRINT. SHOULD DISCREPANCY ARISE, CONSULT ENCONNEX ENGINEERING IMMEDIATELY.
 5. ALL PARTS TO BE FREE OF DIRT OR GRIME THAT PREVENTS LABEL ADHESION OR ALLOWS TRANSFER ONTO COSMETIC AREAS.
 6. MUST BE ROHS COMPLIANT, INCLUDING HARDWARE. IF CONFLICTING SPECIFICATIONS EXIST, CONTACT ENCONNEX ENGINEERING.
 7. DIMENSIONS IDENTIFIED WITH (X.XX) ARE CONSIDERED CRITICAL TO QUALITY (CTQ) DIMENSIONS. THESE DIMENSIONS ARE EXPECTED TO BE MONITORED STATISTICALLY AND DOCUMENTED AS PART OF THE FABRICATION PROCESS.

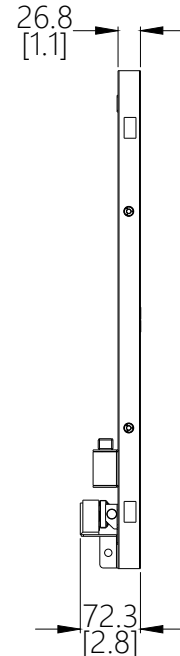
UNLESS NOTED, DIMENSIONS IN MILLIMETERS & TOLERANCES ARE:			PRODUCT LINE: Containment Tilt Window	
X. ±1 MM	X° ±1°		PART NUMBER: ECX-612-SGL-TLT-CLG-001	
X.X ±0.5 MM	X.X° ±0.5°	4670 AIRCENTER CIRCLE, RENO, NV89502	DESCRIPTION: Containment Single Tilt Window 600mm W x 1200mm D	
X.XX ±0.20 MM			DRAWING FILE NAME ECX-612-SGL-TLT-CLG-001	
ØX.X ±0.3 MM		ENGINEER: FANCY.FAN		ORG DATE: 2020-05-18
ØX.XX ±0.10 MM		DRAWN: AMY ZHU		REV DATE: 2020-05-18
THIRD ANGLE PROJECTION	Default	3D MODEL CONFIGURATION		ITEM WEIGHT (REFERENCE ONLY)
UNITS:MM[IN]	INTERPRET TO ASME Y14.100	SIZE: B	SCALE:N/A	DO NOT SCALE DRAWING
				REV: A
				SHEET: 1/6

THIS DRAWING AND SPECIFICATIONS HEREIN ARE THE PROPERTY OF ENCONNEX LLC, AND SHALL NOT BE COPIED, REPRODUCED OR USED IN WHOLE OR IN PART, AS THE BASIS FOR THE MANUFACTURE OR SALE OF ITEMS WITHOUT THE WRITTEN PERMISSION OF ENCONNEX LLC. THIS DRAWING IS SUBJECT TO CHANGE WITHOUT NOTICE.

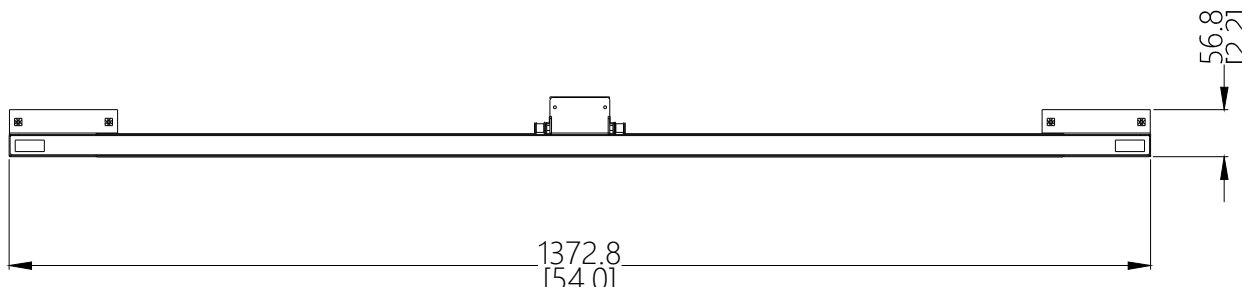
REVISIONS				
REV.	SUFFIX	DESCRIPTION	DATE	APPROVED
A		Full Release	2020-05-18	FANCY FAN



TOP VIEW




SIDE VIEW



FRONT VIEW

- NOTES, UNLESS OTHERWISE SPECIFIED:
1. MATERIAL: SEE INDIVIDUAL MARK
 2. FINISH: RAL9005 TEXTURE POWDER COATING
 3. PART MUST BE SUFFICIENTLY FREE OF BURRS AND SHARP EDGES TO PASS UL 1439 SHARP EDGE TEST.
 4. 3D CAD AVAILABLE IN ADDITION TO PDF PRINT. SHOULD DISCREPANCY ARISE, CONSULT ENCONNEX ENGINEERING IMMEDIATELY.
 5. ALL PARTS TO BE FREE OF DIRT OR GRIME THAT PREVENTS LABEL ADHESION OR ALLOWS TRANSFER ONTO COSMETIC AREAS.
 6. MUST BE ROHS COMPLIANT, INCLUDING HARDWARE. IF CONFLICTING SPECIFICATIONS EXIST, CONTACT ENCONNEX ENGINEERING.
 7. DIMENSIONS IDENTIFIED WITH (X.XX) ARE CONSIDERED CRITICAL TO QUALITY (CTQ) DIMENSIONS. THESE DIMENSIONS ARE EXPECTED TO BE MONITORED STATISTICALLY AND DOCUMENTED AS PART OF THE FABRICATION PROCESS.

UNLESS NOTED, DIMENSIONS IN MILLIMETERS & TOLERANCES ARE:			PRODUCT LINE: Containment Tilt Window			
X. ±1 MM	X° ±1°		PART NUMBER: ECX-612-SGL-TLT-CLG-001			
X.X ±0.5 MM	X.X° ±0.5°	4670 AIRCENTER CIRCLE, RENO, NV89502	DESCRIPTION: Containment Single Tilt Window 600mm W x 1200mm D			
X.XX ±0.20 MM			DRAWING FILE NAME ECX-612-SGL-TLT-CLG-001			
ØX.X ±0.3 MM		ENGINEER: FANCY.FAN		ORG DATE: 2020-05-18		
ØX.XX ±0.10 MM		DRAWN: AMY ZHU		REV DATE: 2020-05-18		
THIRD ANGLE PROJECTION		3D MODEL CONFIGURATION Default		ITEM WEIGHT (REFERENCE ONLY)		
UNITS:MM[IN]		INTERPRET TO ASME Y14.100	SIZE: B	SCALE:N/A	DO NOT SCALE DRAWING	SHEET: 2/6

F
E
D
C
B
A

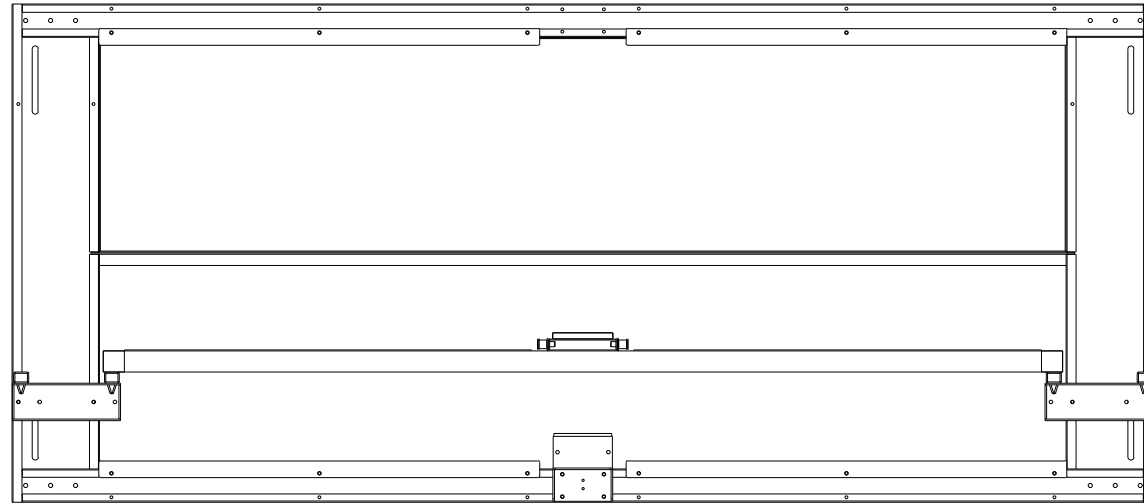
F
E
D
C
B
A

8 7 6 5 4 3 2 1

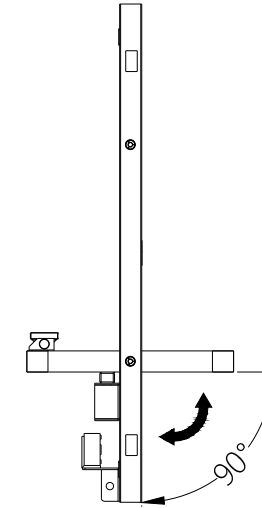
8 7 6 5 4 3 2 1

THIS DRAWING AND SPECIFICATIONS HEREIN ARE THE PROPERTY OF ENCONNEX LLC, AND SHALL NOT BE COPIED, REPRODUCED OR USED IN WHOLE OR IN PART, AS THE BASIS FOR THE MANUFACTURE OR SALE OF ITEMS WITHOUT THE WRITTEN PERMISSION OF ENCONNEX LLC. THIS DRAWING IS SUBJECT TO CHANGE WITHOUT NOTICE.

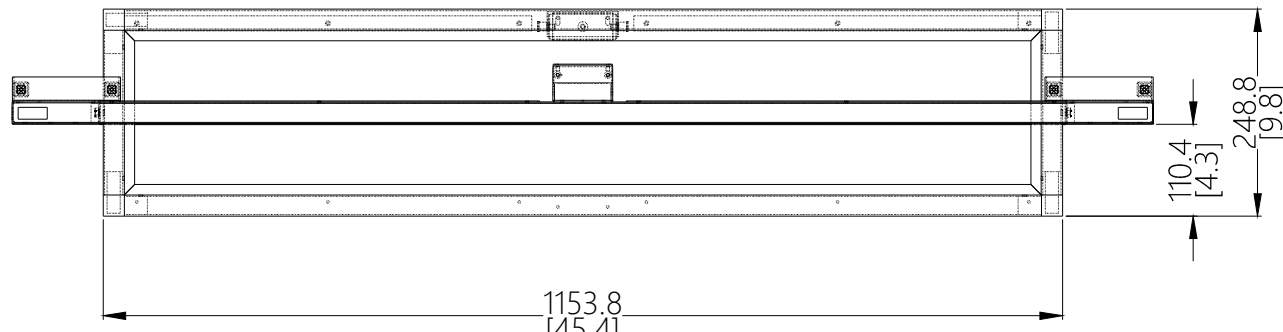
REVISIONS				
REV.	SUFFIX	DESCRIPTION	DATE	APPROVED
A		Full Release	2020-05-18	FANCY FAN



TOP VIEW



SIDE VIEW



FRONT VIEW

NOTES, UNLESS OTHERWISE SPECIFIED:

1. MATERIAL: SEE INDIVIDUAL MARK
2. FINISH: RAL9005 TEXTURE POWDER COATING
3. PART MUST BE SUFFICIENTLY FREE OF BURRS AND SHARP EDGES TO PASS UL 1439 SHARP EDGE TEST.
4. 3D CAD AVAILABLE IN ADDITION TO PDF PRINT. SHOULD DISCREPANCY ARISE, CONSULT ENCONNEX ENGINEERING IMMEDIATELY.
5. ALL PARTS TO BE FREE OF DIRT OR GRIME THAT PREVENTS LABEL ADHESION OR ALLOWS TRANSFER ONTO COSMETIC AREAS.
6. MUST BE ROHS COMPLIANT, INCLUDING HARDWARE. IF CONFLICTING SPECIFICATIONS EXIST, CONTACT ENCONNEX ENGINEERING.
7. DIMENSIONS IDENTIFIED WITH (X.XX) ARE CONSIDERED CRITICAL TO QUALITY (CTQ) DIMENSIONS. THESE DIMENSIONS ARE EXPECTED TO BE MONITORED STATISTICALLY AND DOCUMENTED AS PART OF THE FABRICATION PROCESS.

UNLESS NOTED, DIMENSIONS IN MILLIMETERS & TOLERANCES ARE:			PRODUCT LINE: Containment Tilt Window	
X. ±1 MM	X° ±1°		PART NUMBER: ECX-612-SGL-TLT-CLG-001	
X.X ±0.5 MM	X.X° ±0.5°	4670 AIRCENTER CIRCLE, RENO, NV89502	DESCRIPTION: Containment Single Tilt Window 600mm W x 1200mm D	
X.XX ±0.20 MM			DRAWING FILE NAME ECX-612-SGL-TLT-CLG-001	
ØX.X ±0.3 MM		ENGINEER: FANCY.FAN		ORG DATE: 2020-05-18
ØX.XX ±0.10 MM		DRAWN: AMY ZHU		REV DATE: 2020-05-18
THIRD ANGLE PROJECTION		3D MODEL CONFIGURATION Default		ITEM WEIGHT (REFERENCE ONLY)
UNITS:MM[IN]		INTERPRET TO ASME Y14.100		SIZE: B
SCALE:N/A		DO NOT SCALE DRAWING		SHEET: 3/6

F
E
D
C
B
A

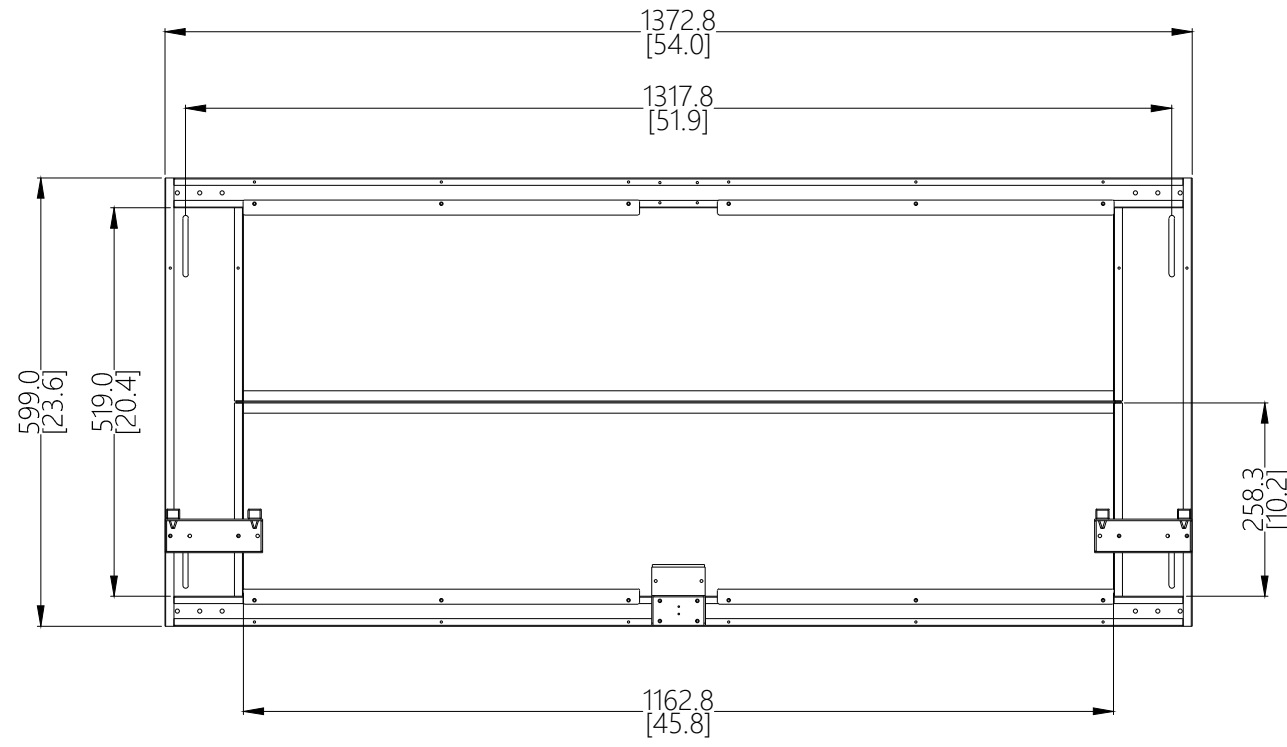
F
E
D
C
B
A

8 7 6 5 4 3 2 1

8 7 6 5 4 3 2 1

THIS DRAWING AND SPECIFICATIONS HEREIN ARE THE PROPERTY OF ENCONNEX LLC, AND SHALL NOT BE COPIED, REPRODUCED OR USED IN WHOLE OR IN PART, AS THE BASIS FOR THE MANUFACTURE OR SALE OF ITEMS WITHOUT THE WRITTEN PERMISSION OF ENCONNEX LLC. THIS DRAWING IS SUBJECT TO CHANGE WITHOUT NOTICE.

REVISIONS				
REV.	SUFFIX	DESCRIPTION	DATE	APPROVED
A		Full Release	2020-05-18	FANCY FAN

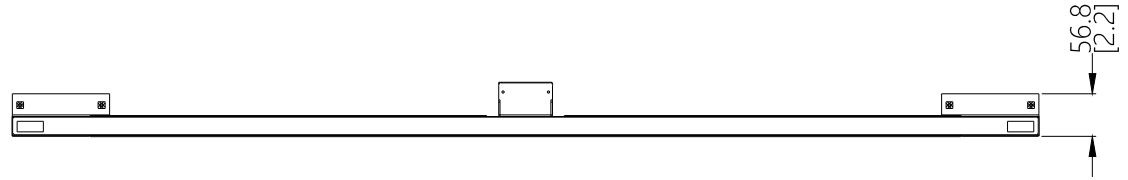
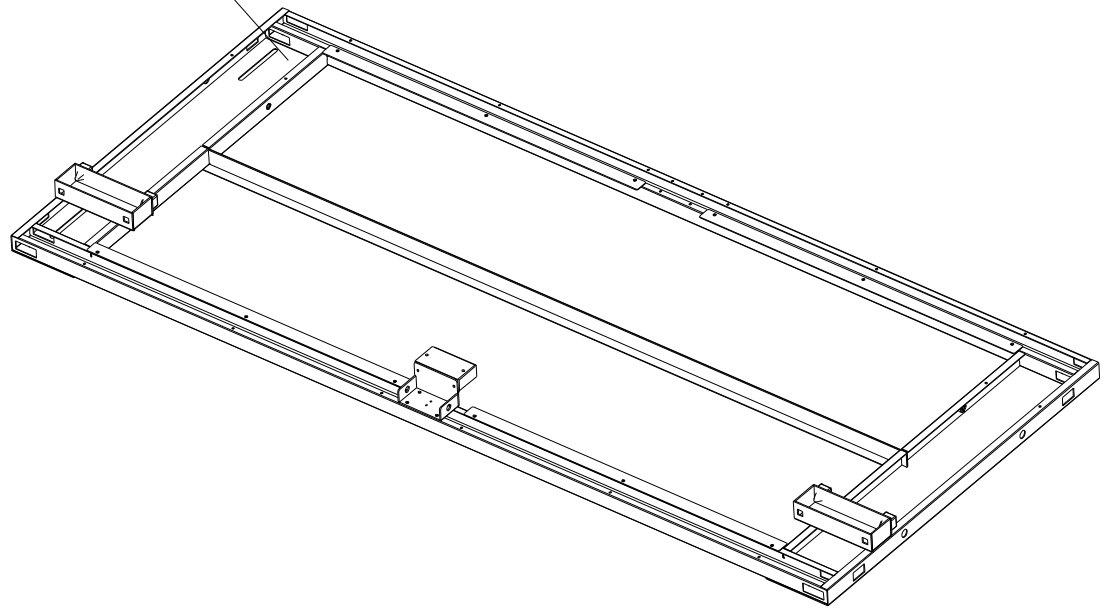


TOP VIEW



SIDE VIEW

Sheet Metal Frame



FRONT VIEW

- NOTES, UNLESS OTHERWISE SPECIFIED:
1. MATERIAL: SEE INDIVIDUAL MARK
 2. FINISH: RAL9005 TEXTURE POWDER COATING
 3. PART MUST BE SUFFICIENTLY FREE OF BURRS AND SHARP EDGES TO PASS UL 1439 SHARP EDGE TEST.
 4. 3D CAD AVAILABLE IN ADDITION TO PDF PRINT. SHOULD DISCREPANCY ARISE, CONSULT ENCONNEX ENGINEERING IMMEDIATELY.
 5. ALL PARTS TO BE FREE OF DIRT OR GRIME THAT PREVENTS LABEL ADHESION OR ALLOWS TRANSFER ONTO COSMETIC AREAS.
 6. MUST BE ROHS COMPLIANT, INCLUDING HARDWARE. IF CONFLICTING SPECIFICATIONS EXIST, CONTACT ENCONNEX ENGINEERING.
 7. DIMENSIONS IDENTIFIED WITH (X.XX) ARE CONSIDERED CRITICAL TO QUALITY (CTQ) DIMENSIONS. THESE DIMENSIONS ARE EXPECTED TO BE MONITORED STATISTICALLY AND DOCUMENTED AS PART OF THE FABRICATION PROCESS.

UNLESS NOTED, DIMENSIONS IN MILLIMETERS & TOLERANCES ARE:			PRODUCT LINE: Containment Tilt Window			
X. ±1 MM	X° ±1°		PART NUMBER: ECX-612-SGL-TLT-CLG-001			
X.X ±0.5 MM	X.X° ±0.5°	4670 AIRCENTER CIRCLE, RENO, NV89502	DESCRIPTION: Containment Single Tilt Window 600mm W x 1200mm D			
X.XX ±0.20 MM			DRAWING FILE NAME ECX-612-SGL-TLT-CLG-001			
ØX.X ±0.3 MM		ENGINEER: FANCY.FAN		ORG DATE: 2020-05-18		
ØX.XX ±0.10 MM		DRAWN: AMY ZHU		REV DATE: 2020-05-18		
THIRD ANGLE PROJECTION		3D MODEL CONFIGURATION Default		ITEM WEIGHT (REFERENCE ONLY)		
UNITS:MM[IN]		INTERPRET TO ASME Y14.100	SIZE: B	SCALE:N/A	DO NOT SCALE DRAWING	SHEET: 4/6

F
E
D
C
B
A

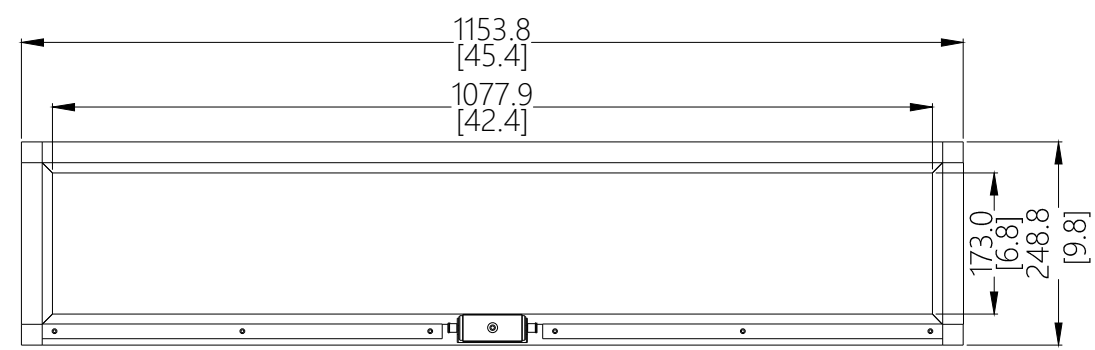
F
E
D
C
B
A

8 7 6 5 4 3 2 1

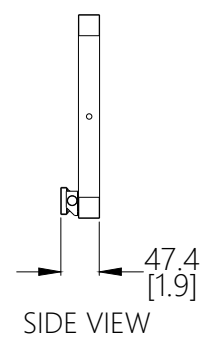
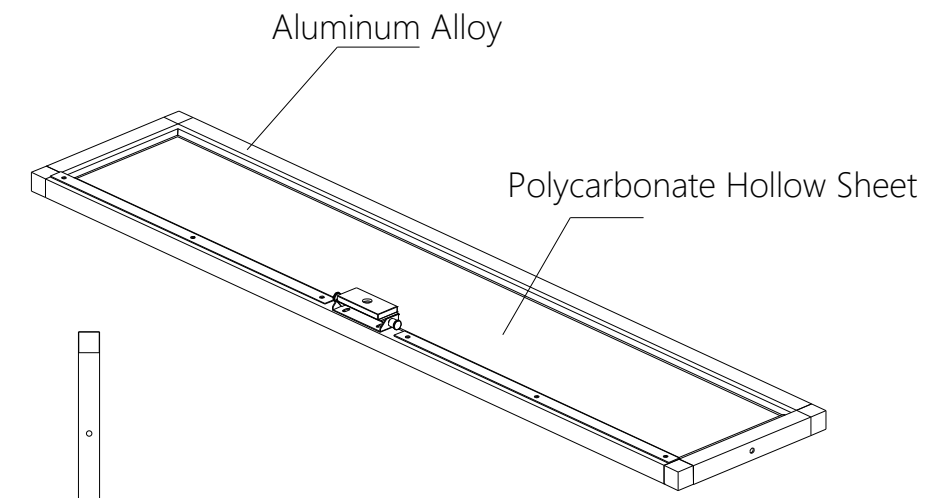
8 7 6 5 4 3 2 1

THIS DRAWING AND SPECIFICATIONS HEREIN ARE THE PROPERTY OF ENCONNEX LLC, AND SHALL NOT BE COPIED, REPRODUCED OR USED IN WHOLE OR IN PART, AS THE BASIS FOR THE MANUFACTURE OR SALE OF ITEMS WITHOUT THE WRITTEN PERMISSION OF ENCONNEX LLC. THIS DRAWING IS SUBJECT TO CHANGE WITHOUT NOTICE.

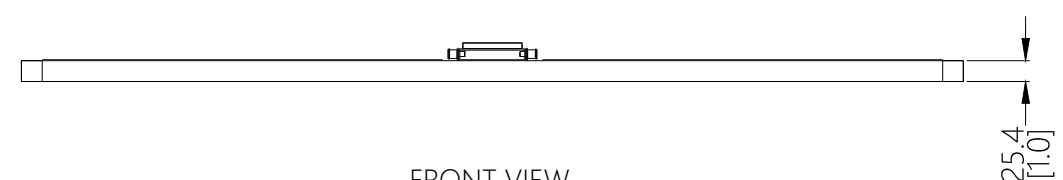
REVISIONS				
REV.	SUFFIX	DESCRIPTION	DATE	APPROVED
A		Full Release	2020-05-18	FANCY FAN



TOP VIEW



SIDE VIEW



FRONT VIEW

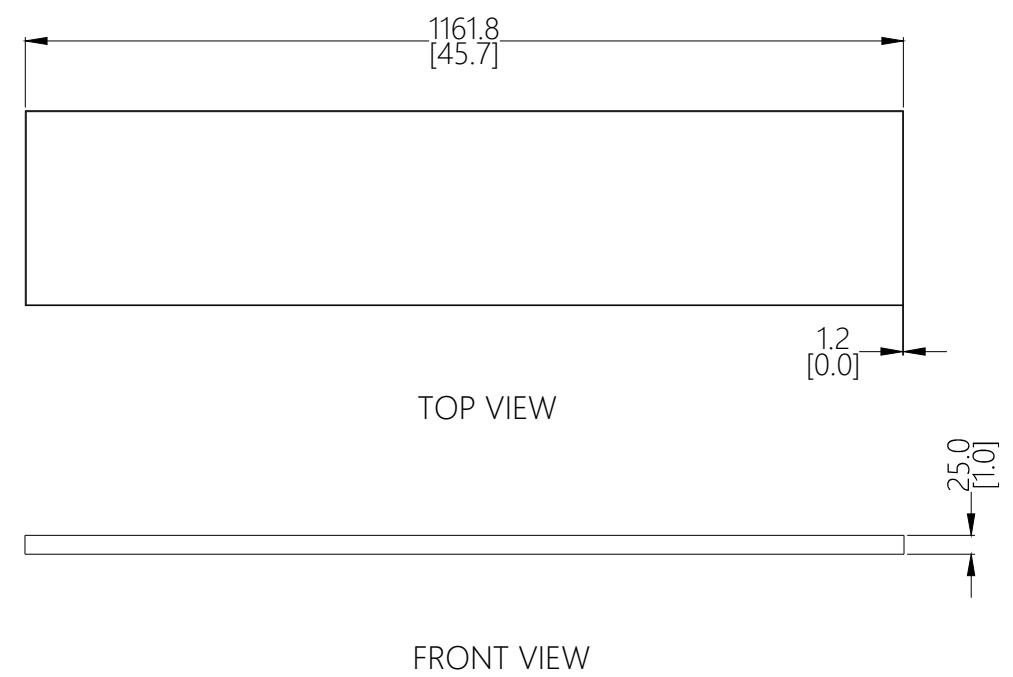
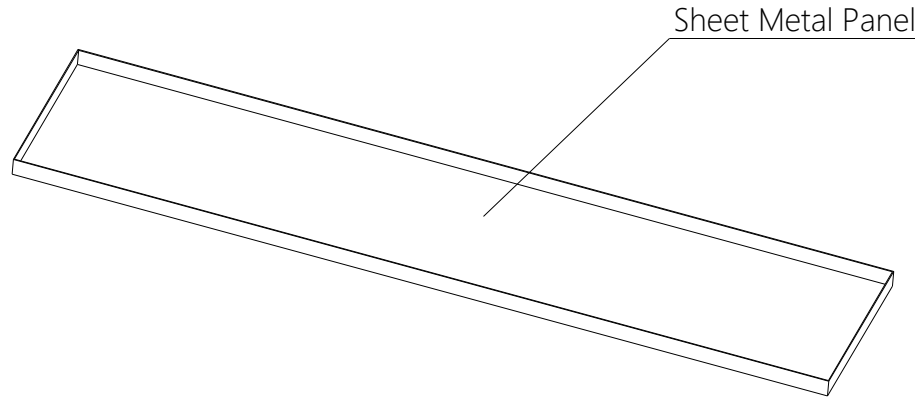
NOTES, UNLESS OTHERWISE SPECIFIED:

1. MATERIAL: SEE MACKED
2. FINISH: RAL9005 TEXTURE POWDER COATING
3. PART MUST BE SUFFICIENTLY FREE OF BURRS AND SHARP EDGES TO PASS UL 1439 SHARP EDGE TEST.
4. 3D CAD AVAILABLE IN ADDITION TO PDF PRINT. SHOULD DISCREPANCY ARISE, CONSULT ENCONNEX ENGINEERING IMMEDIATELY.
5. ALL PARTS TO BE FREE OF DIRT OR GRIME THAT PREVENTS LABEL ADHESION OR ALLOWS TRANSFER ONTO COSMETIC AREAS.
6. MUST BE ROHS COMPLIANT, INCLUDING HARDWARE. IF CONFLICTING SPECIFICATIONS EXIST, CONTACT ENCONNEX ENGINEERING.
7. DIMENSIONS IDENTIFIED WITH (X.XX) ARE CONSIDERED CRITICAL TO QUALITY (CTQ) DIMENSIONS. THESE DIMENSTONS ARE EXPECTED TO BE MONITORED STATISTICALLY AND DOCUMENTED AS PART OF THE FABRICATION PROCESS.

UNLESS NOTED, DIMENSIONS IN MILLIMETERS & TOLERANCES ARE:			PRODUCT LINE: Containment Tilt Window	
X. ±1 MM	X° ±1°		PART NUMBER: ECX-612-SGL-TLT-CLG-001	
X.X ±0.5 MM	X.X° ±0.5°	4670 AIRCENTER CIRCLE, RENO, NV89502	DESCRIPTION: Containment Single Tilt Window 600mm W x 1200mm D	
X.XX ±0.20 MM			DRAWING FILE NAME ECX-612-SGL-TLT-CLG-001	
ØX.X ±0.3 MM		ENGINEER: FANCY.FAN		ORG DATE: 2020-05-18
ØX.XX ±0.10 MM		DRAWN: AMY ZHU		REV DATE: 2020-05-18
THIRD ANGLE PROJECTION		3D MODEL CONFIGURATION Default		ITEM WEIGHT (REFERENCE ONLY) REV: A
UNITS:MM[IN]	INTERPRET TO ASME Y14.100	SIZE: B	SCALE:N/A	DO NOT SCALE DRAWING SHEET: 5/6

THIS DRAWING AND SPECIFICATIONS HEREIN ARE THE PROPERTY OF ENCONNEX LLC, AND SHALL NOT BE COPIED, REPRODUCED OR USED IN WHOLE OR IN PART, AS THE BASIS FOR THE MANUFACTURE OR SALE OF ITEMS WITHOUT THE WRITTEN PERMISSION OF ENCONNEX LLC. THIS DRAWING IS SUBJECT TO CHANGE WITHOUT NOTICE.

REVISIONS				
REV.	SUFFIX	DESCRIPTION	DATE	APPROVED
A		Full Release	2020-05-18	FANCY FAN



- NOTES, UNLESS OTHERWISE SPECIFIED:
1. MATERIAL: SEE MACKED
 2. FINISH: RAL9005 TEXTURE POWDER COATING
 3. PART MUST BE SUFFICIENTLY FREE OF BURRS AND SHARP EDGES TO PASS UL 1439 SHARP EDGE TEST.
 4. 3D CAD AVAILABLE IN ADDITION TO PDF PRINT. SHOULD DISCREPANCY ARISE, CONSULT ENCONNEX ENGINEERING IMMEDIATELY.
 5. ALL PARTS TO BE FREE OF DIRT OR GRIME THAT PREVENTS LABEL ADHESION OR ALLOWS TRANSFER ONTO COSMETIC AREAS.
 6. MUST BE ROHS COMPLIANT, INCLUDING HARDWARE. IF CONFLICTING SPECIFICATIONS EXIST, CONTACT ENCONNEX ENGINEERING.
 7. DIMENSIONS IDENTIFIED WITH (X.XX) ARE CONSIDERED CRITICAL TO QUALITY (CTQ) DIMENSIONS. THESE DIMENSTONS ARE EXPECTED TO BE MONITORED STATISTICALLY AND DOCUMENTED AS PART OF THE FABRICATION PROCESS.

UNLESS NOTED, DIMENSIONS IN MILLIMETERS & TOLERANCES ARE: X. ±1 MM X° ±1° X.X ±0.5 MM X.X° ±0.5° X.XX ±0.20 MM ØX.X ±0.3 MM ØX.XX ±0.10 MM		PRODUCT LINE: Containment Tilt Window	
		PART NUMBER: ECX-612-SGL-TLT-CLG-001	
4670 AIRCENTER CIRCLE, RENO, NV89502		DESCRIPTION: Containment Single Tilt Window 600mm W x 1200mm D	
	DRAWING FILE NAME ECX-612-SGL-TLT-CLG-001	ENGINEER: FANCY.FAN	ORG DATE: 2020-05-18
	3D MODEL FILE NAME ECX-612-SGL-TLT-CLG-001	DRAWN: AMY ZHU	REV DATE: 2020-05-18
THIRD ANGLE PROJECTION	3D MODEL CONFIGURATION Default	ITEM WEIGHT (REFERENCE ONLY)	REV: A
UNITS:MM[IN]	INTERPRET TO ASME Y14.100	SIZE: B	SCALE:N/A DO NOT SCALE DRAWING SHEET: 6/6