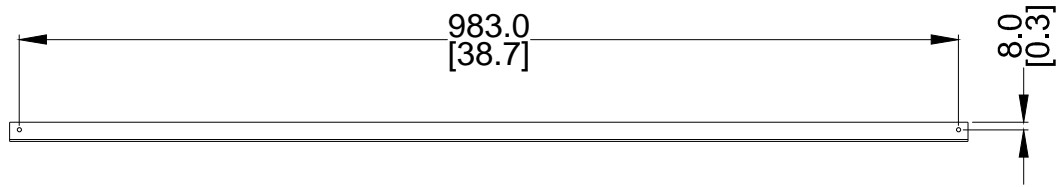
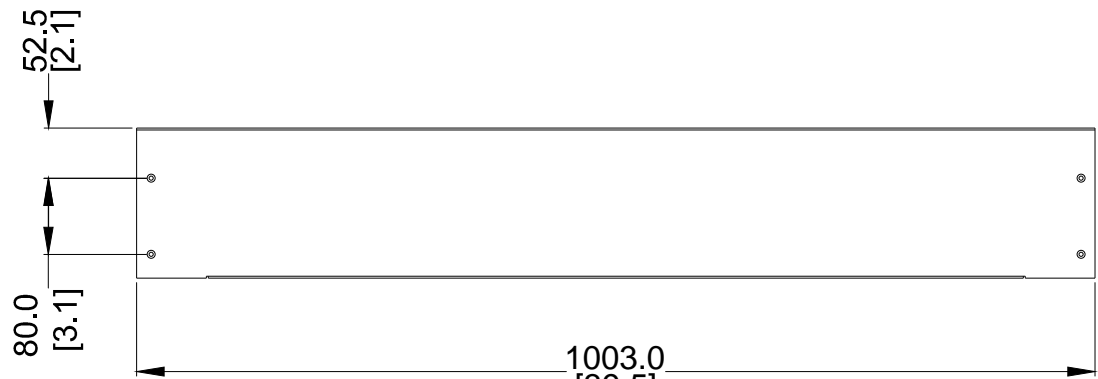


THIS DRAWING AND SPECIFICATIONS HEREIN ARE THE PROPERTY OF ENCONNEX LLC. AND SHALL NOT BE COPIED, REPRODUCED OR USED IN WHOLE OR IN PART, AS THE BASIS FOR THE MANUFACTURE OR SALE OF ITEMS WITHOUT THE WRITTEN PERMISSION OF ENCONNEX LLC. THIS DRAWING IS SUBJECT TO CHANGE WITHOUT NOTICE.

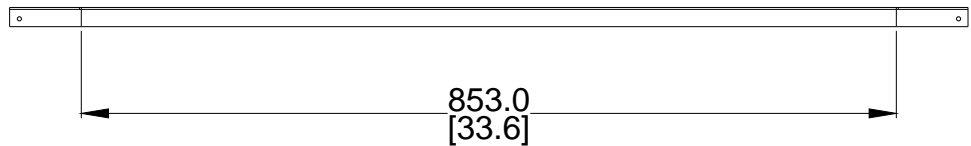
REVISIONS				
REV.	SUFFIX	DESCRIPTION	DATE	APPROVED
A		Full Release	2020-06-18	FANCY FAN



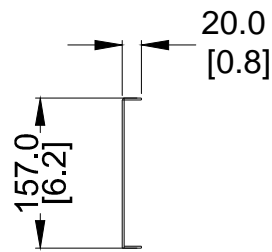
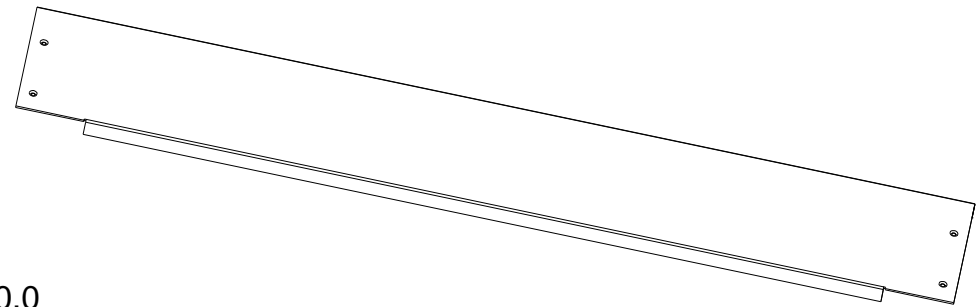
TOP VIEW



FRONT VIEW



BOTTOM VIEW



SIDE VIEW

NOTES, UNLESS OTHERWISE SPECIFIED:

- MATERIAL: CRS
- FINISH: RAL9005 TEXTURE POWDER COATING
- PART MUST BE SUFFICIENTLY FREE OF BURRS AND SHARP EDGES TO PASS UL 1439 SHARP EDGE TEST.
- 3D CAD AVAILABLE IN ADDITION TO PDF PRINT. SHOULD DISCREPANCY ARISE, CONSULT ENCONNEX ENGINEERING IMMEDIATELY.
- ALL PARTS TO BE FREE OF DIRT OR GRIME THAT PREVENTS LABEL ADHESION OR ALLOWS TRANSFER ONTO COSMETIC AREAS.
- MUST BE ROHS COMPLIANT, INCLUDING HARDWARE. IF CONFLICTING SPECIFICATIONS EXIST, CONTACT ENCONNEX ENGINEERING.
- DIMENSIONS IDENTIFIED WITH (X.XX) ARE CONSIDERED CRITICAL TO QUALITY (CTQ) DIMENSIONS. THESE DIMENSIONS ARE EXPECTED TO BE MONITORED STATISTICALLY AND DOCUMENTED AS PART OF THE FABRICATION PROCESS.

UNLESS NOTED, DIMENSIONS IN MILLIMETERS & TOLERANCES ARE:			PRODUCT LINE: Side Panel	
X. ±1 MM	X° ±1°		PART NUMBER: ECX-1100-BED-SUP-PNL-001	
X.X ±0.5 MM	X.X° ±0.5°	4670 AIRCENTER CIRCLE, RENO, NV89502	DESCRIPTION: Side Panel on Book Ends 1100mm Cabinet	
X.XX ±0.20 MM				
ØX.X ±0.3 MM		DRAWING FILE NAME ECX-1100-BED-SUP-PNL-001		ENGINEER: FANCY.FAN
ØX.XX ±0.10 MM		3D MODEL FILE NAME ECX-1100-BED-SUP-PNL-001		ORG DATE: 2020-06-18
		DRAWING FILE NAME ECX-1100-BED-SUP-PNL-001		REV DATE: 2020-06-18
		3D MODEL CONFIGURATION Default		ITEM WEIGHT (REFERENCE ONLY)
		THIRD ANGLE PROJECTION		REV: A
UNITS:MM(IN)	INTERPRET TO ASME Y14.100	SIZE: B	SCALE:N/A	DO NOT SCALE DRAWING
				SHEET: 1/1